

Certificate of Analysis

LudgerPure™ Procainamide Labelled NA2 Glycan

Cat. #: CPROC-NA2-01

Batch: B62F-02

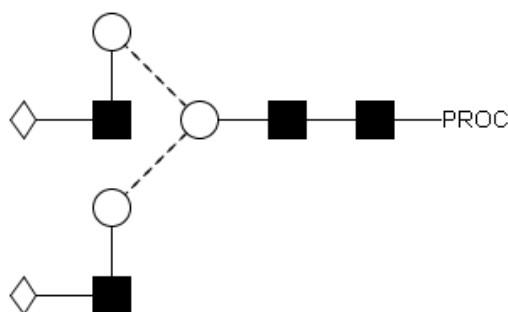
Size: approx. 20 pmol

Expiry Date: 11 May 2021

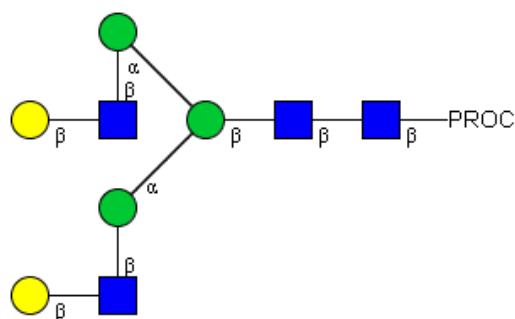
Alternative Names

NA2, G2

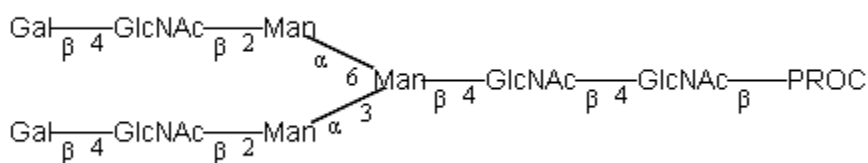
Structure



Oxford Notation



CFG Notation



Text Notation

Purity: 86.7% Procainamide labelled NA2 glycan, as assessed by HPLC - see Fig 1.

Amount: Sample vial determined to contain 17.2 pmols NA2 glycan – Test performed 11 May 2016.

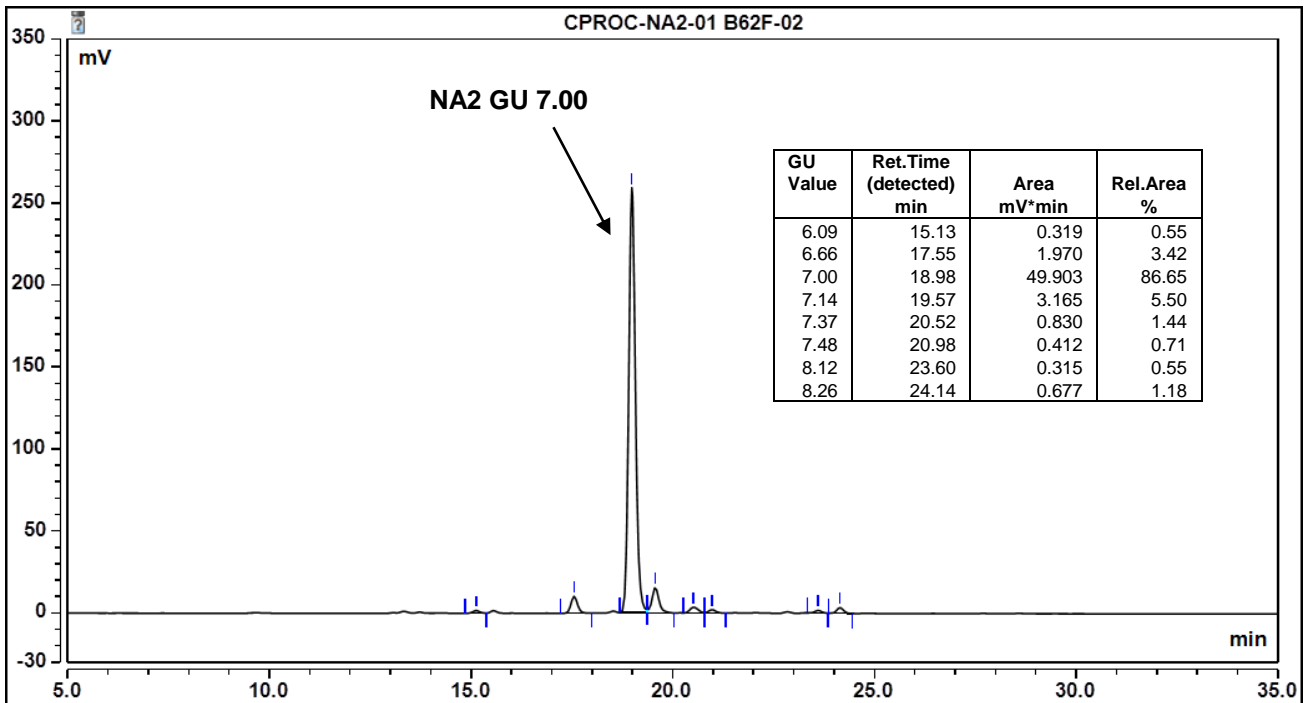


Figure 1: HILIC HPLC profile of Procainamide labelled NA2 glycan (see method conditions below)
(Cat. #: CPROC-NA2-01, Batch B62F-02).

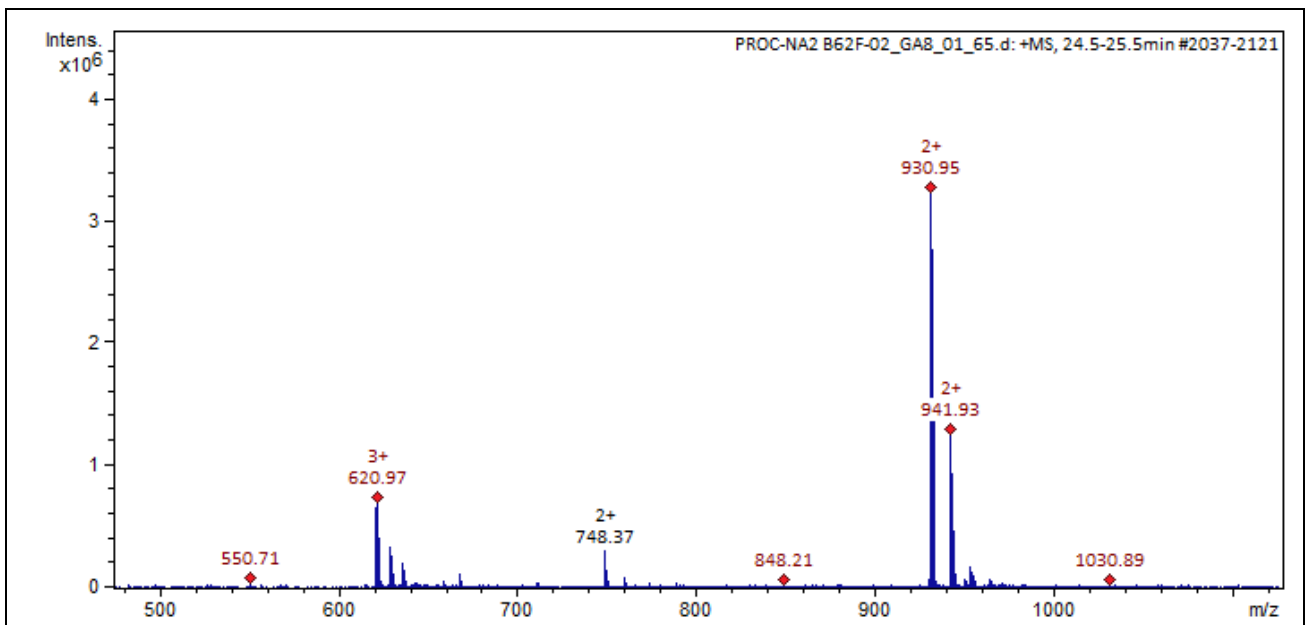


Figure 2: Positive ion mass spec analysis of labelled Glycan Sample.
Main peak at m/z 931.0 conforms to expected $[M+H]^{2+}$ mass. No significant unlabelled glycan peak present.
(Cat. #: CPROC-NA2-01, Batch B62F-02).

Procainamide peak seen above, eluted at 19.0 minutes, under the following conditions:

Column: Waters BEH Glycan 1.7µm column (150mm)

Temperature: 60 °C

Solvent A: 50mM ammonium formate pH 4.4 **Solvent B:** 100 % acetonitrile

Gradient:

Time (min)	%B	Flow (ml/min)
0.0	76.0	0.40
55.30	40.0	0.25
57.50	40.0	0.25
59.5	76.0	0.25
65.50	76.0	0.25
66.50	76.0	0.40
70.00	76.0	0.40

Detector: Dionex Ultimate FLD-3000

Excitation wavelength: 310 nm

Emission wavelength: 370 nm

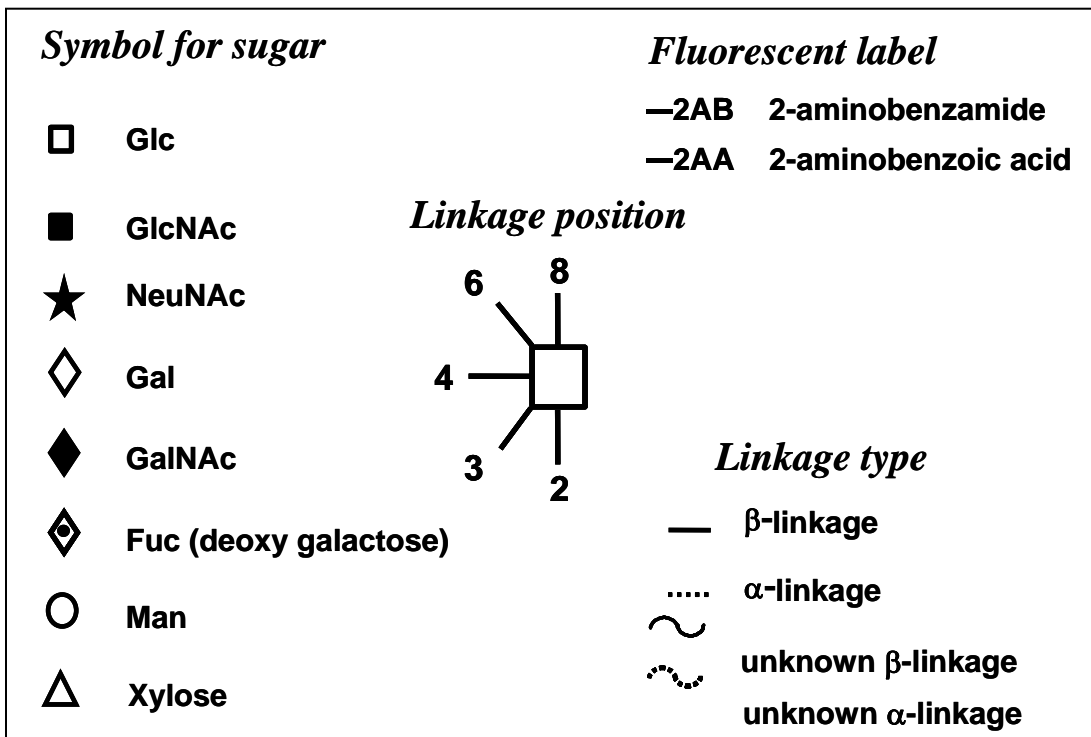


Figure 2: GlycoBase glycan structure key.