

Certificate of Analysis

NGA3 Glycan

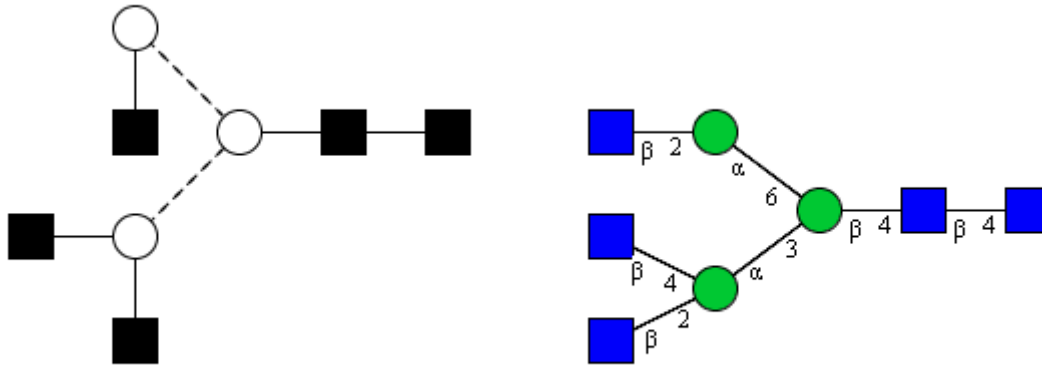
Cat. #: CN-NGA3-20U (2*10U) / CN-NGA3-10U

Batch: A675-04

Size: 20 µg (2*10 µg) / 10 µg

Alternative names

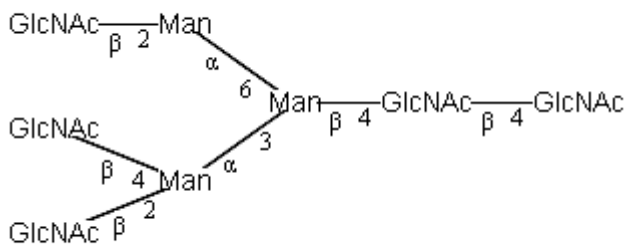
A3



Structure

Oxford Notation

CFG Notation



Text Notation

Purity: 84.92% pure as assessed by Waters BEH Glycan chromatography of 2AB labeled glycan (see Fig 2). HPAE-PAD and MS included as supporting data.

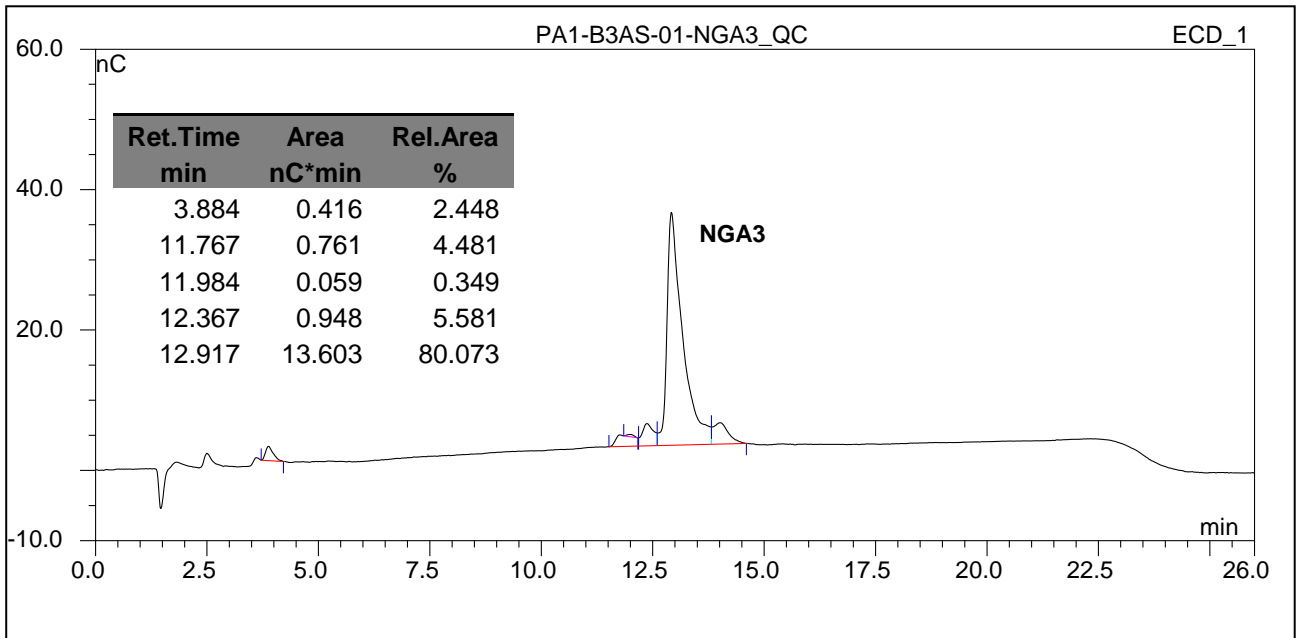


Figure 1: HPAE-PAD HPLC Profile of NGA3 Glycan (CN-NGA3-10U, Batch A675-04).

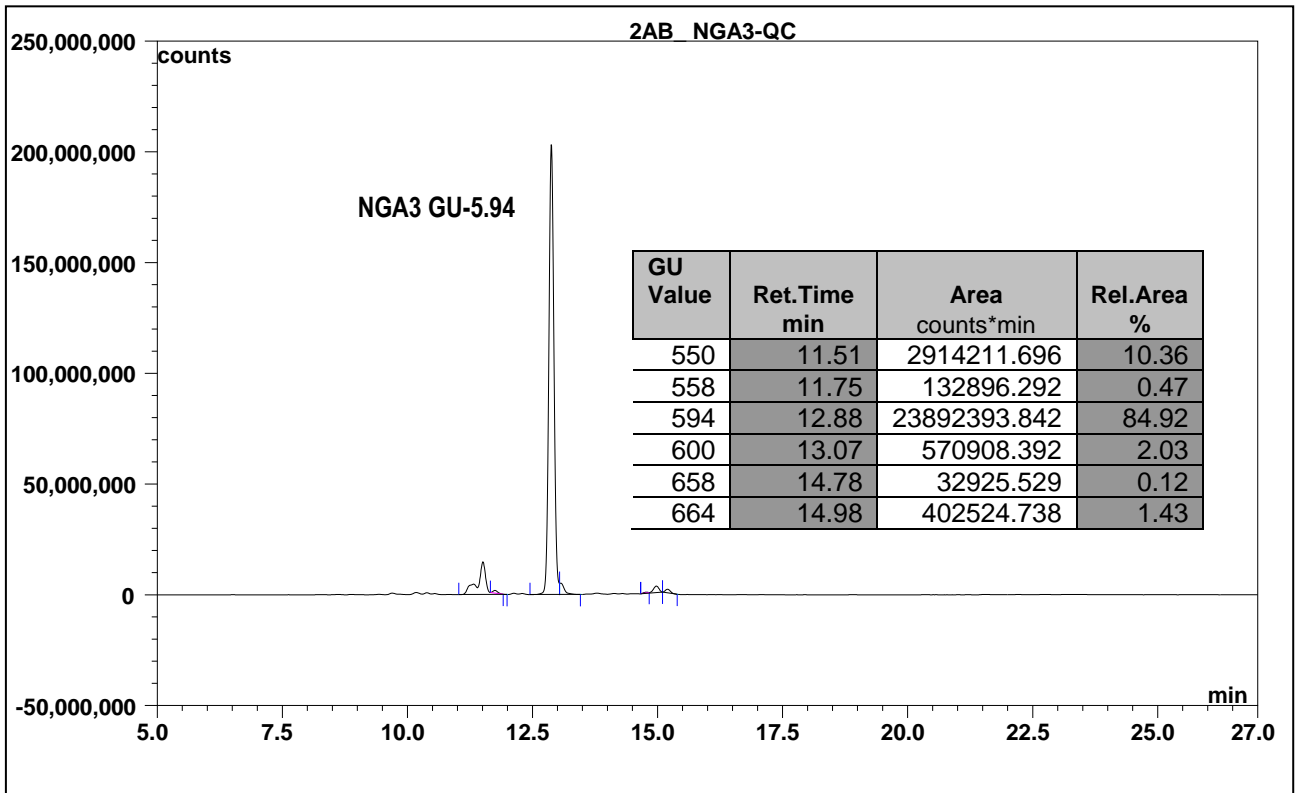


Figure 2: BEH Glycan column chromatogram of 2AB labelled NA3 glycan (CN-NGA3-10U, Batch A675-0).

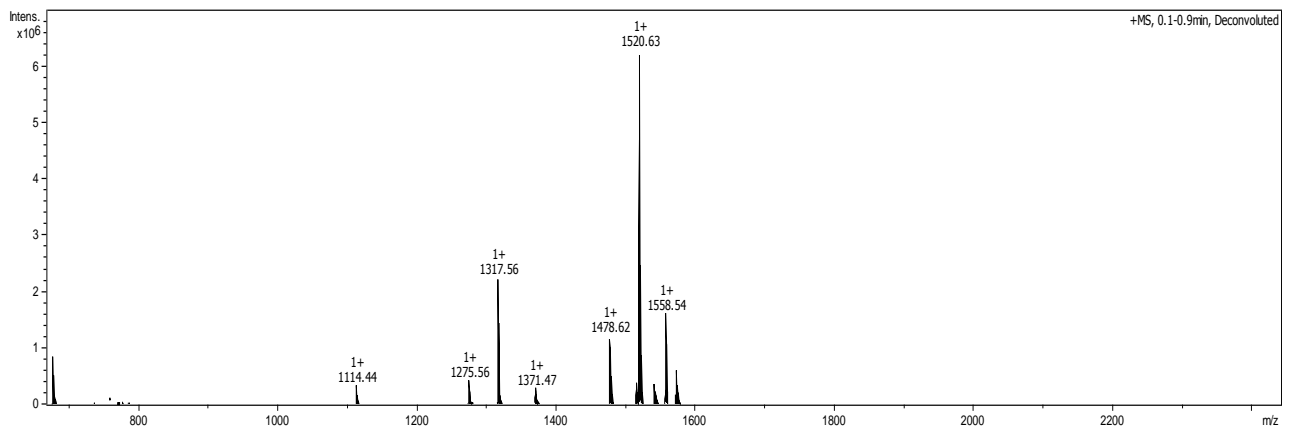


Figure 3: Positive ion mass spectrum of NGA3 glycan (CN-NGA3-10U, Batch A675-04). Theoretical mass 1521 Da $[M+Na]^+$.