

Certificate of Analysis

NA4 Glycan

Cat. #: CN-NA4-20U (2*10U) / CN-NA4-10U

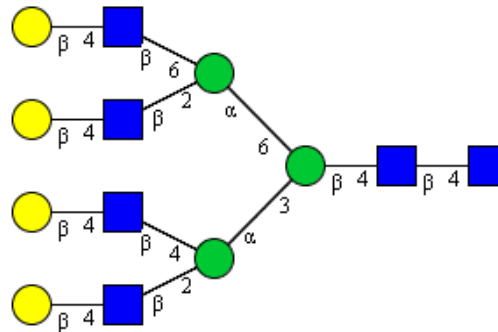
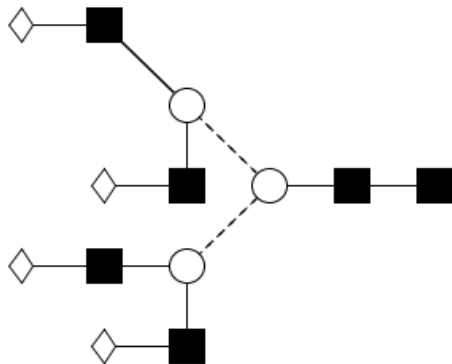
Batch: A675-03

Size: 20 µg (2*10 µg) / 10 µg

Expiry Date: 30 Jul 2018

Alternative names

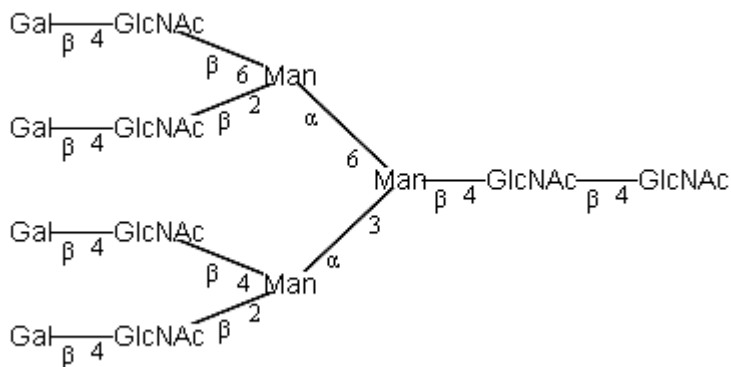
A4G4



Structure

Oxford Notation

CFG Notation



Text Notation

Purity: 81.72% pure as assessed by Waters BEH Glycan chromatography of 2AB labeled glycan (see Fig 2). HPAE-PAD and MS included as supporting data.

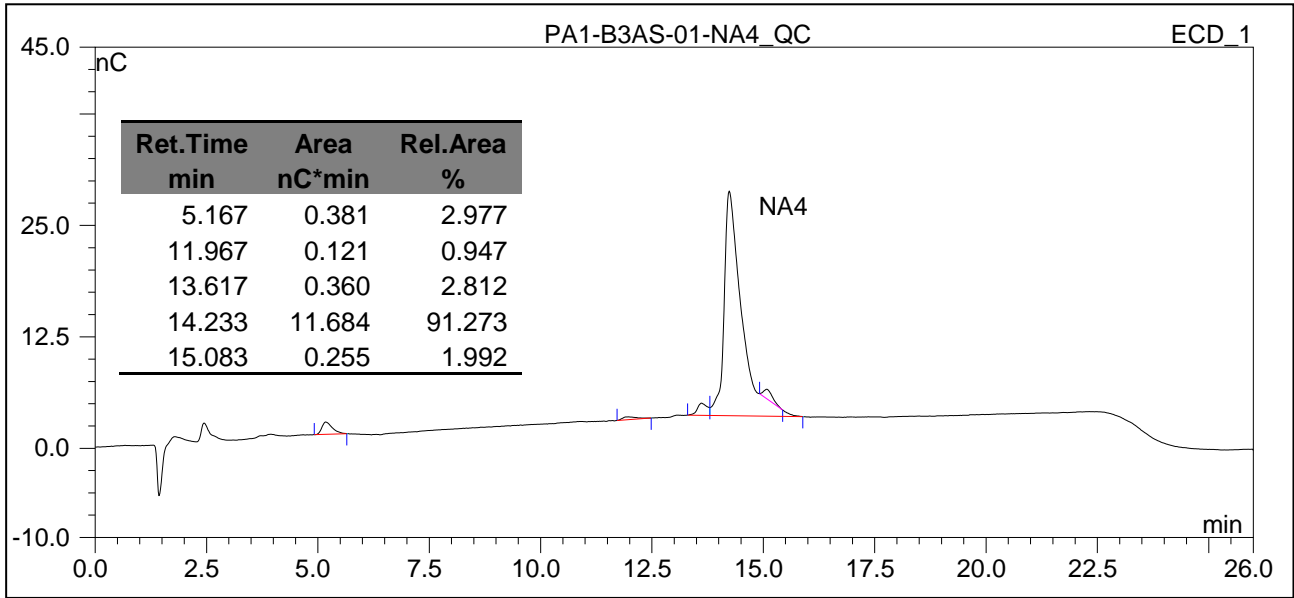


Figure 1: HPAE-PAD HPLC Profile of NA4 Glycan (CN-NA4-10U, Batch A675-03).

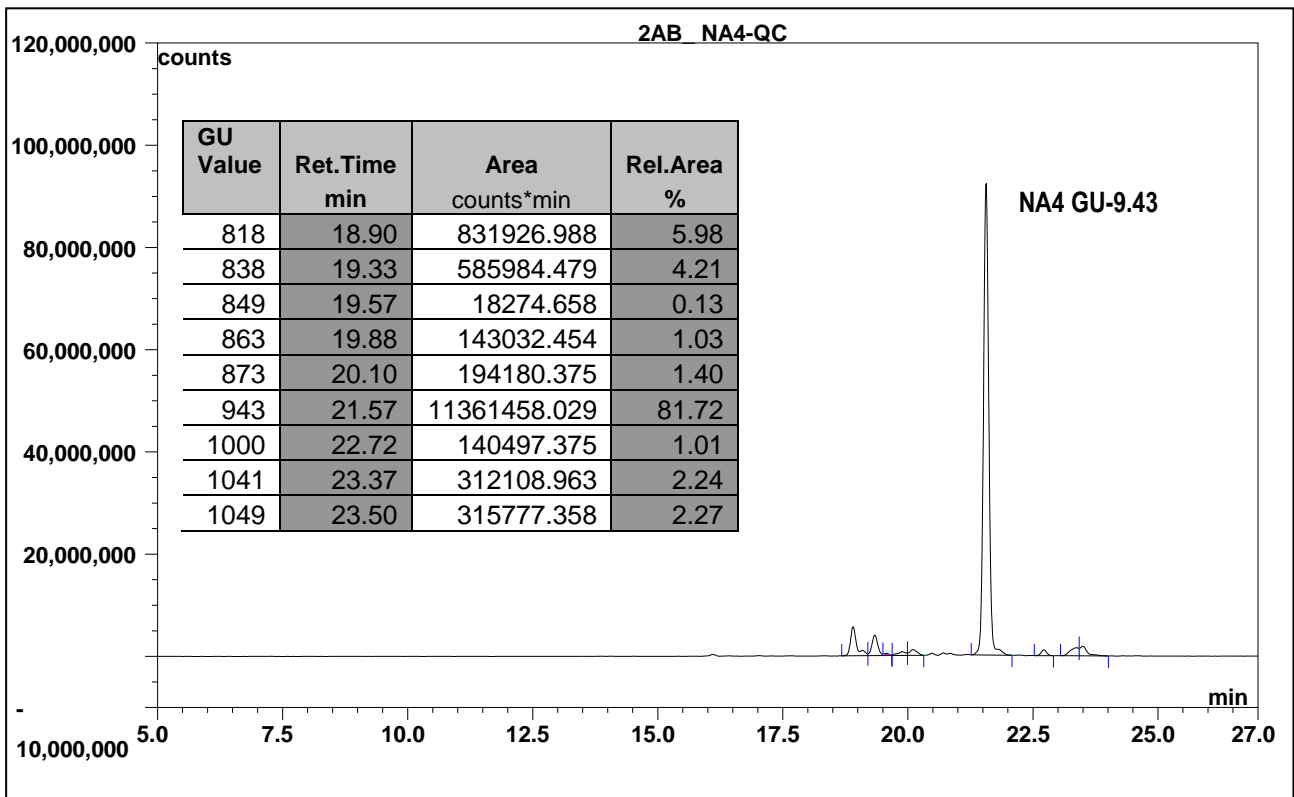


Figure2: BEH Glycan column chromatogram of 2AB labelled NA4 glycan (CN-NA4-10U, Batch A675-03).

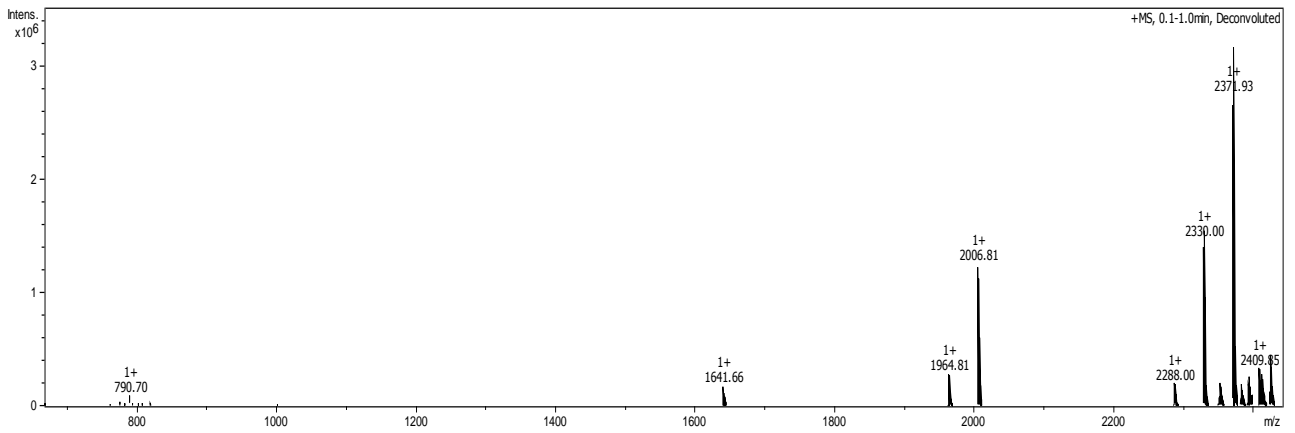


Figure 3: Positive ion mass spectrum of NA4 glycan (CN-NA4-10U, Batch A675-03). Theoretical mass 2373 Da $[M+Na]^+$.