

# Certificate of Analysis

## NA2 Glycan

Cat. #: CN-NA2-20U (2\*10U) / CN-NA2-10U

Batch: B562-01

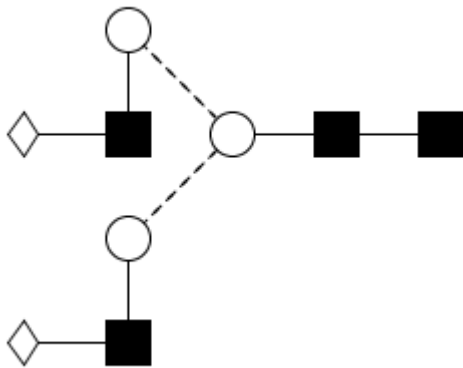
Size: 20 µg (2\*10 µg) / 10 µg

Expiry: 2 JUNE 2020

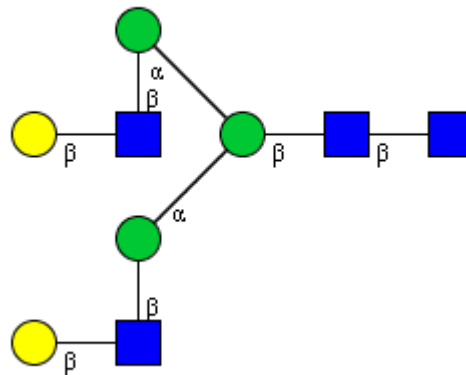
### Alternative names

A2

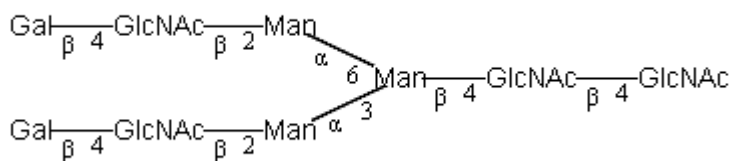
### Structure



Oxford Notation



CFG Notation



Text Notation

**Purity:** 91.2% pure as assessed by HILIC Glycan chromatography of 2AB labeled glycan (see Fig 1).  
HPAE-PAD, MS and NMR included as supporting data.

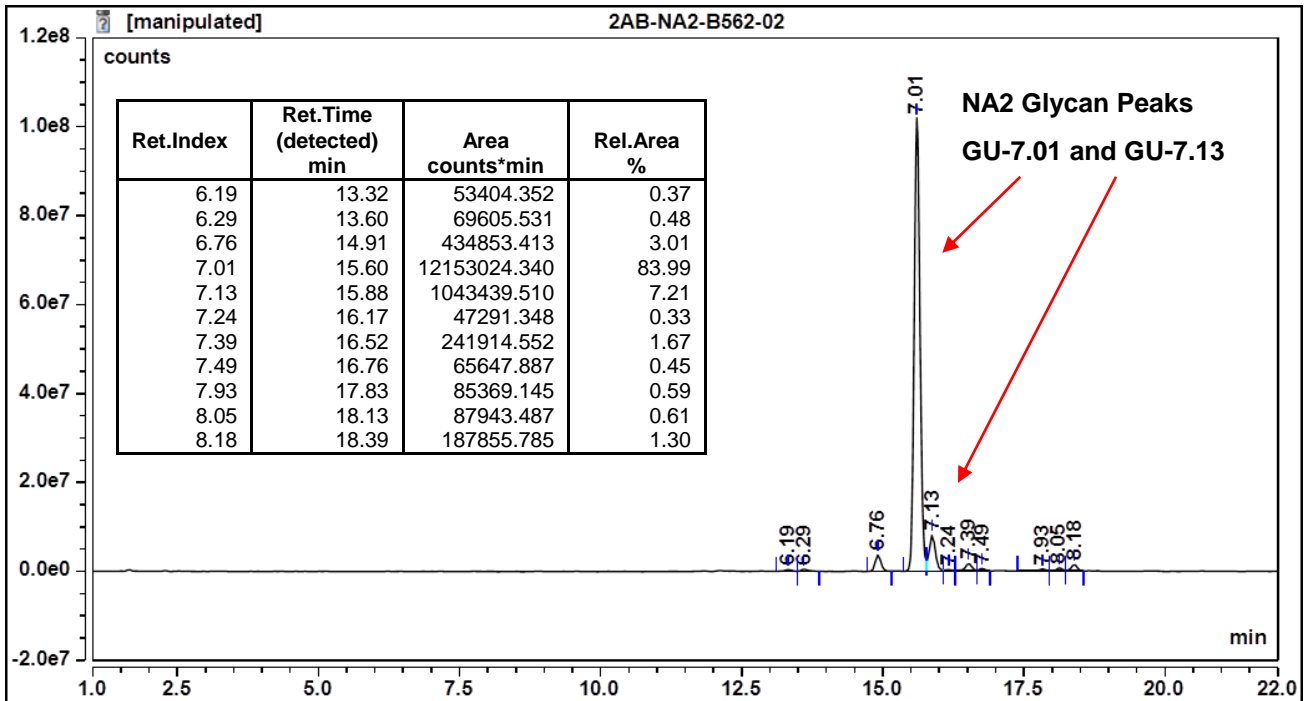


Figure 1: HILIC column UPLC chromatogram of 2AB labelled NA2 glycan (CN-NA2-10U, Batch B562-01). NOTE: The main NA2 isomer (GU-7.01) is as the structure shown on page 1.

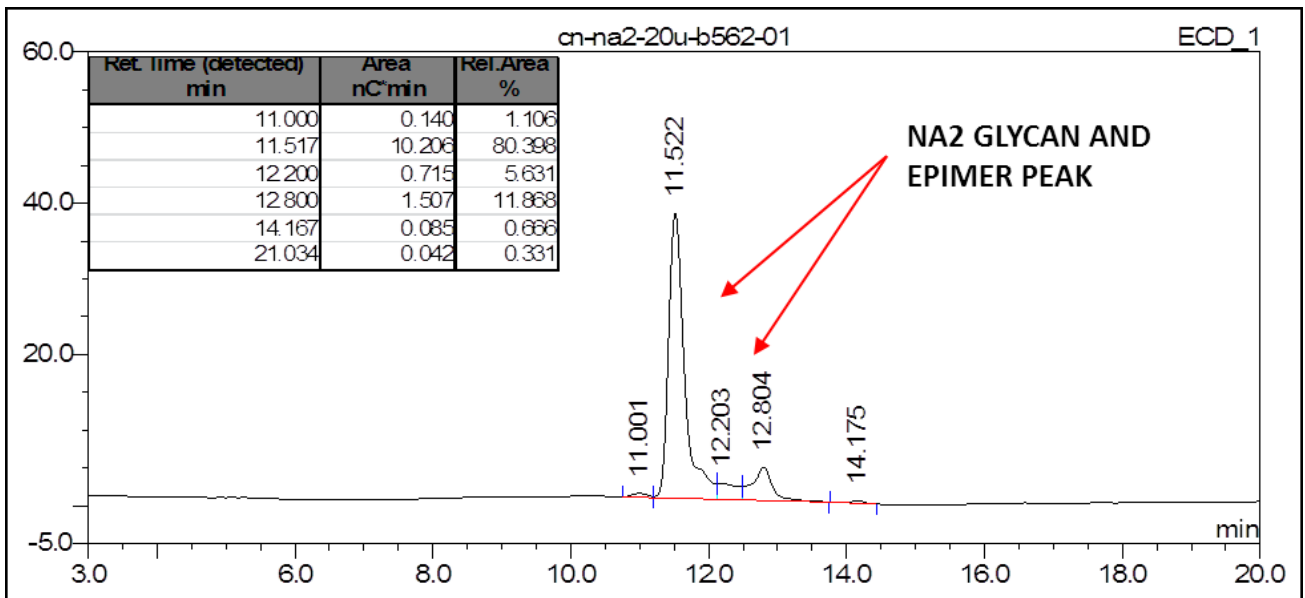


Figure 2: HPAE-PAD HPLC Profile of NA2 glycan (CN-NA2-10U, Batch B562-01).

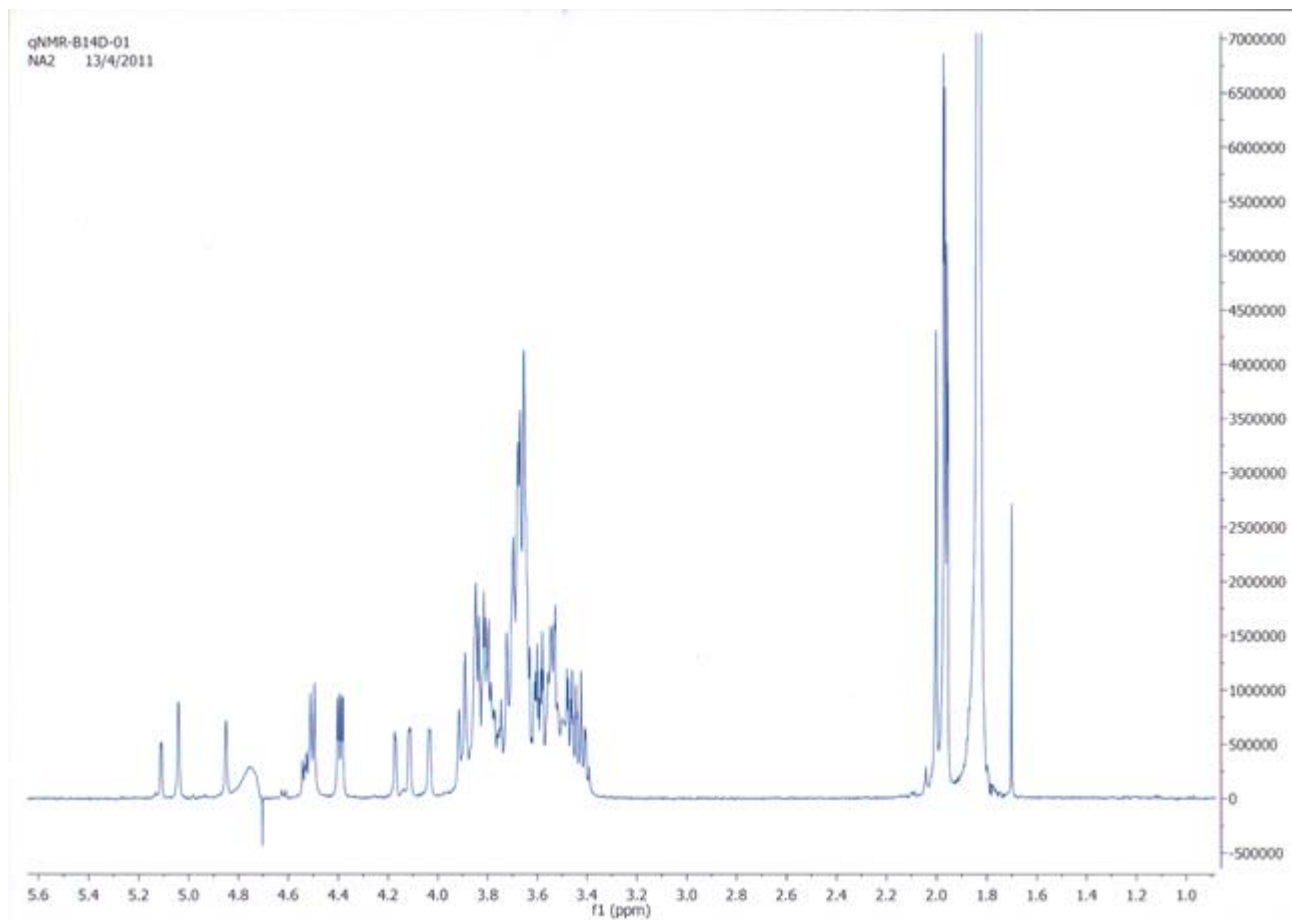


Figure 3: 500MHz  $^1\text{H}$ -NMR of NA2 glycan BULK (CN-NA2-BULK, Batch A9AQ-01).

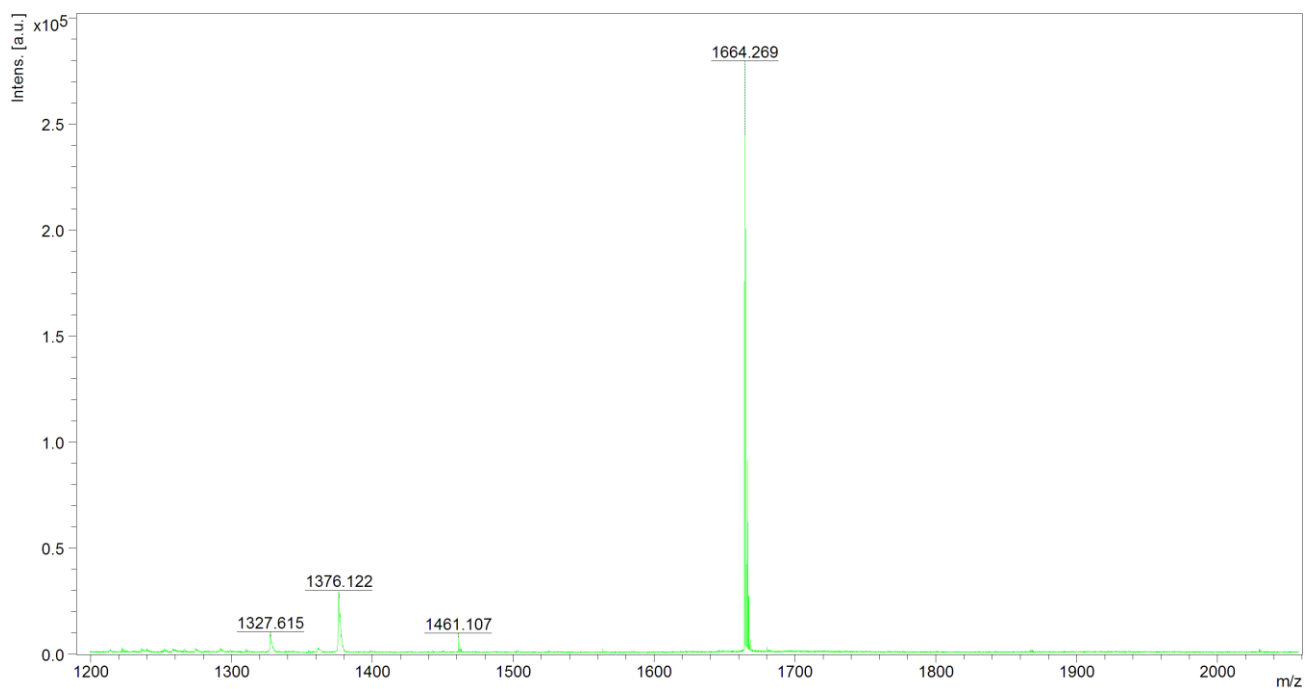


Figure 4: Positive ion mass spectrum of NA2 glycan (CN-NA2-10U, Batch B562-01). Theoretical mass 1663.6 Da  $[\text{M}+\text{Na}]^+$ .