

Certificate of Analysis

NA2 Glycan (A2G2)

Cat. #: CN-NA2-20U (2*10U) / CN-NA2-10U

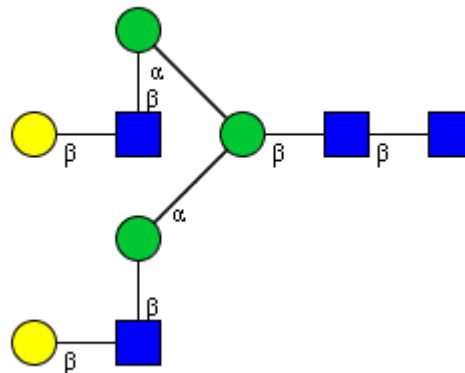
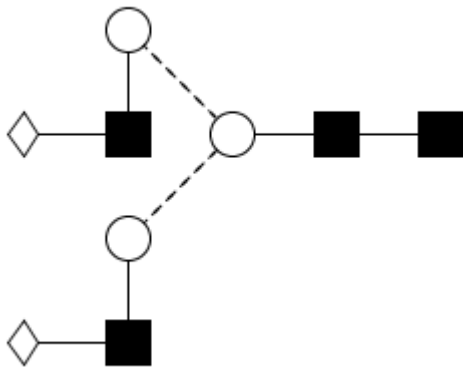
Batch: B219-06

Size: 20 µg (2*10 µg) / 10 µg

Alternative Names

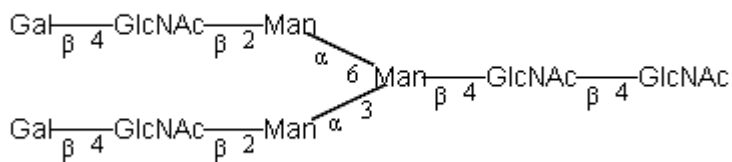
A2G2, G2

Structure



Oxford Notation

CFG Notation



Text Notation

Purity: 90.4% pure as assessed by LudgerSep N2 chromatography of 2AB labeled glycan (see Fig 3).
HPAE-PAD, MS and NMR included as supporting data.

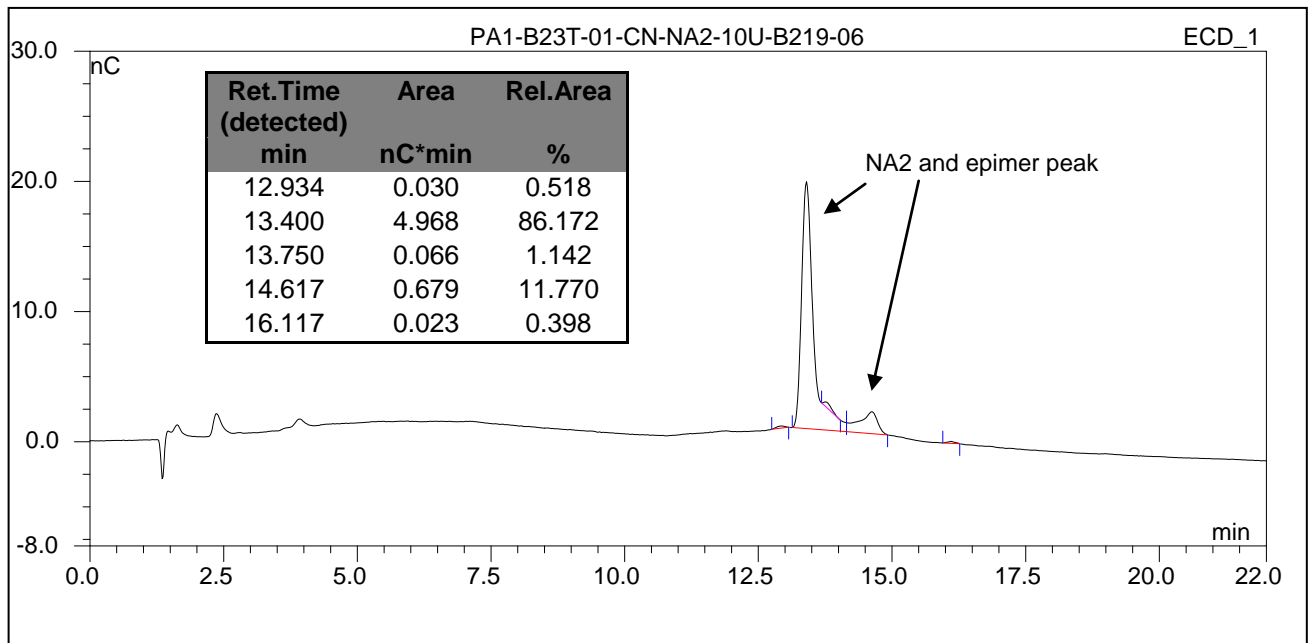


Figure 1: HPAE-PAD HPLC Profile of NA2 (CN-NA2-20U, Batch B219-06) on a Dionex DX-500.

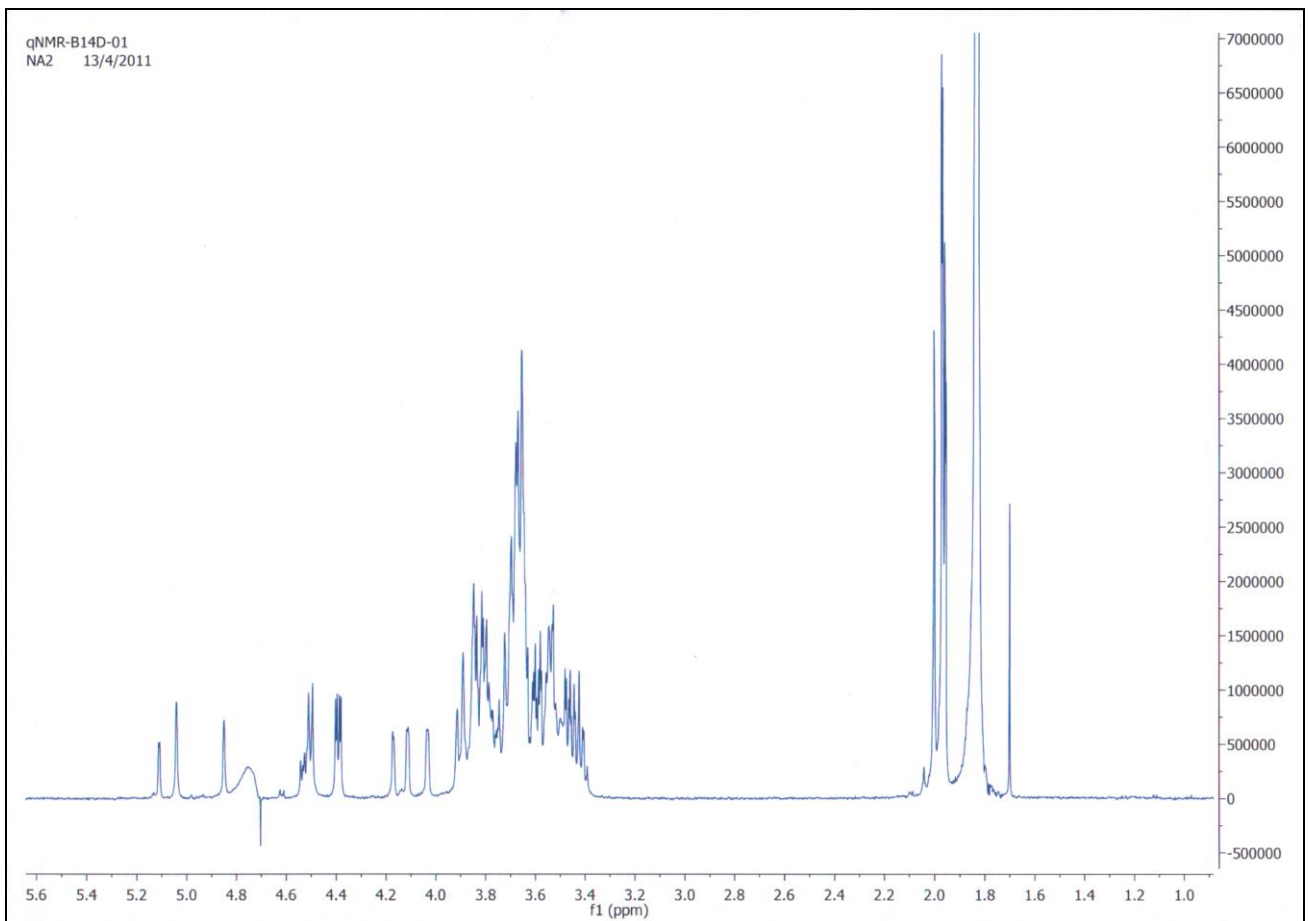


Figure 2: 500MHz ¹H-NMR of NA2 glycan BULK (CN-NA2-BULK, Batch A9AQ-01) on Bruker Avance III.

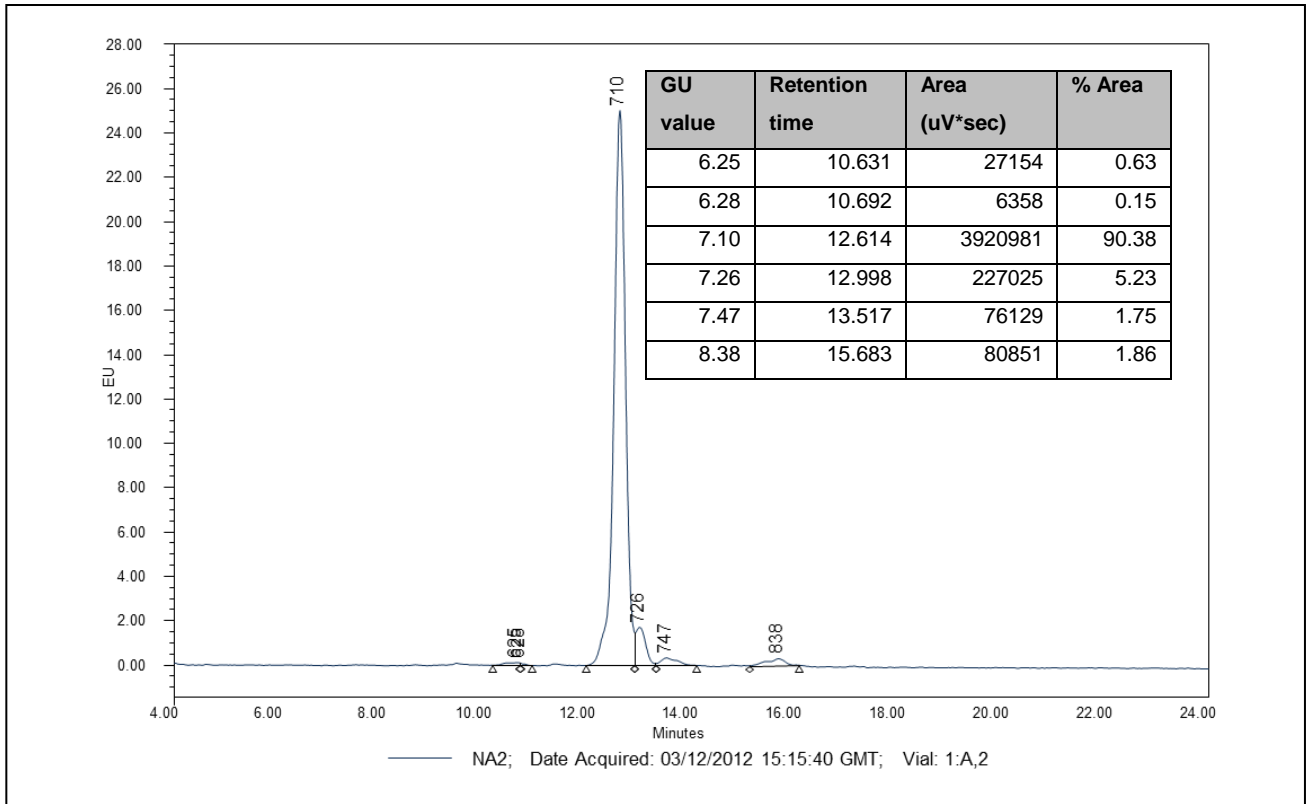


Figure 3: LudgerSep N2 column chromatogram of 2AB labelled NA2 glycan (CN-NA2-20U, Batch B219-06) run on a Thermo U3000 UHPLC.

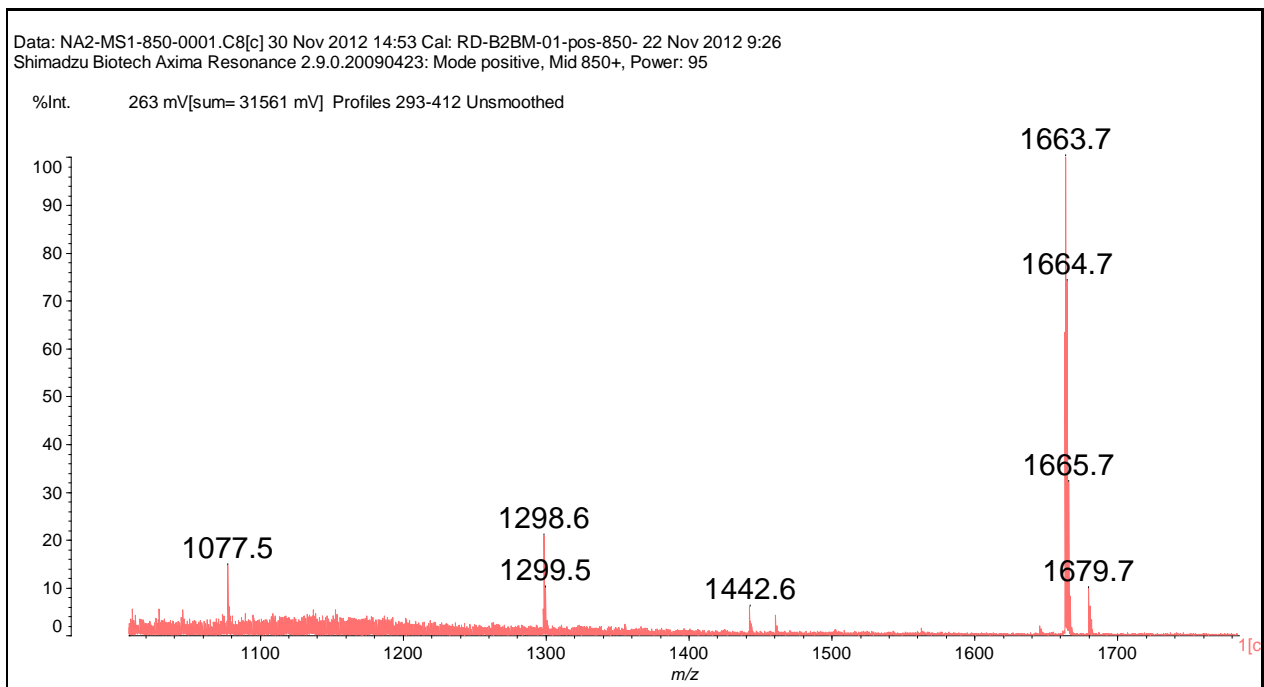


Figure 4: Positive ion mass spectrum of NA2 glycan (CN-NA2-20U, Batch B219-06). Theoretical mass 1663.6 Da $[M+Na]^+$.

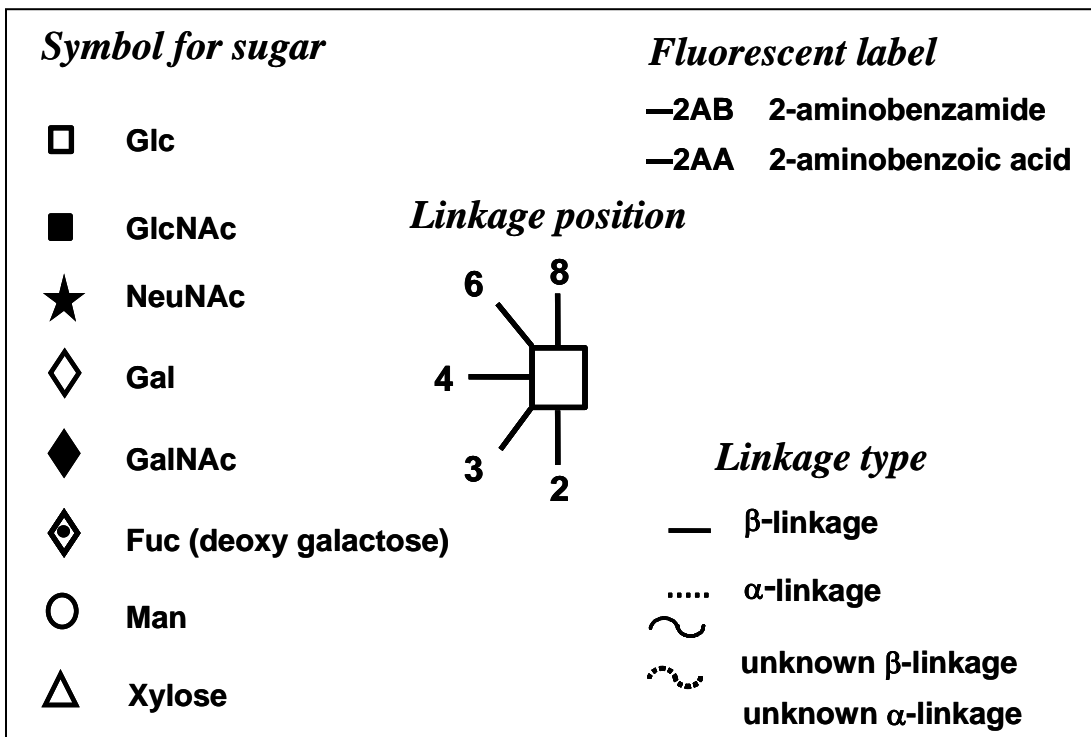


Figure 5: GlycoBase glycan structure key.