

Certificate of Analysis

MAN 9 Glycan (M9)

Cat. #: CN-MAN9-10U

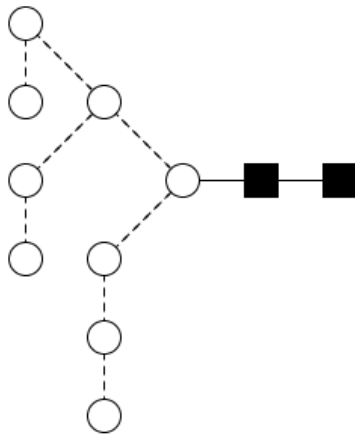
Batch: B09H-04

Size: 10 µg

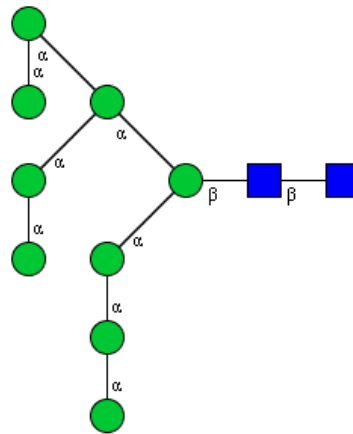
Alternative Names

M9

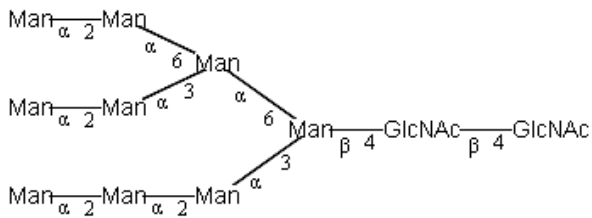
Structure



Oxford Notation



CFG Notation



Text Notation

Purity: > 90% pure as assessed by a combination of HPAE-PAD (see Fig 1) and NMR (see Fig 2). Analysis data for CN-MAN9-BULK batch B09A-01 is shown. CN-MAN9-10U batch B09H-04 dispensed from CN-MAN9-BULK batch B09A-01.

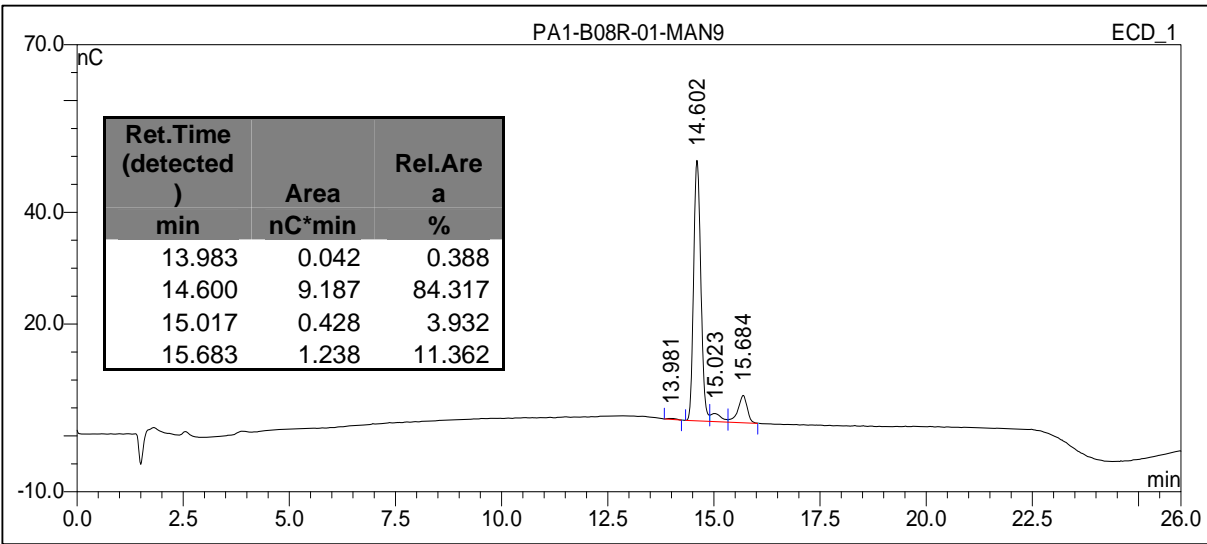


Figure 1 : HPAE-PAD HPLC Profile of MAN 9 (CN-MAN9-BULK, Batch B09A-01).

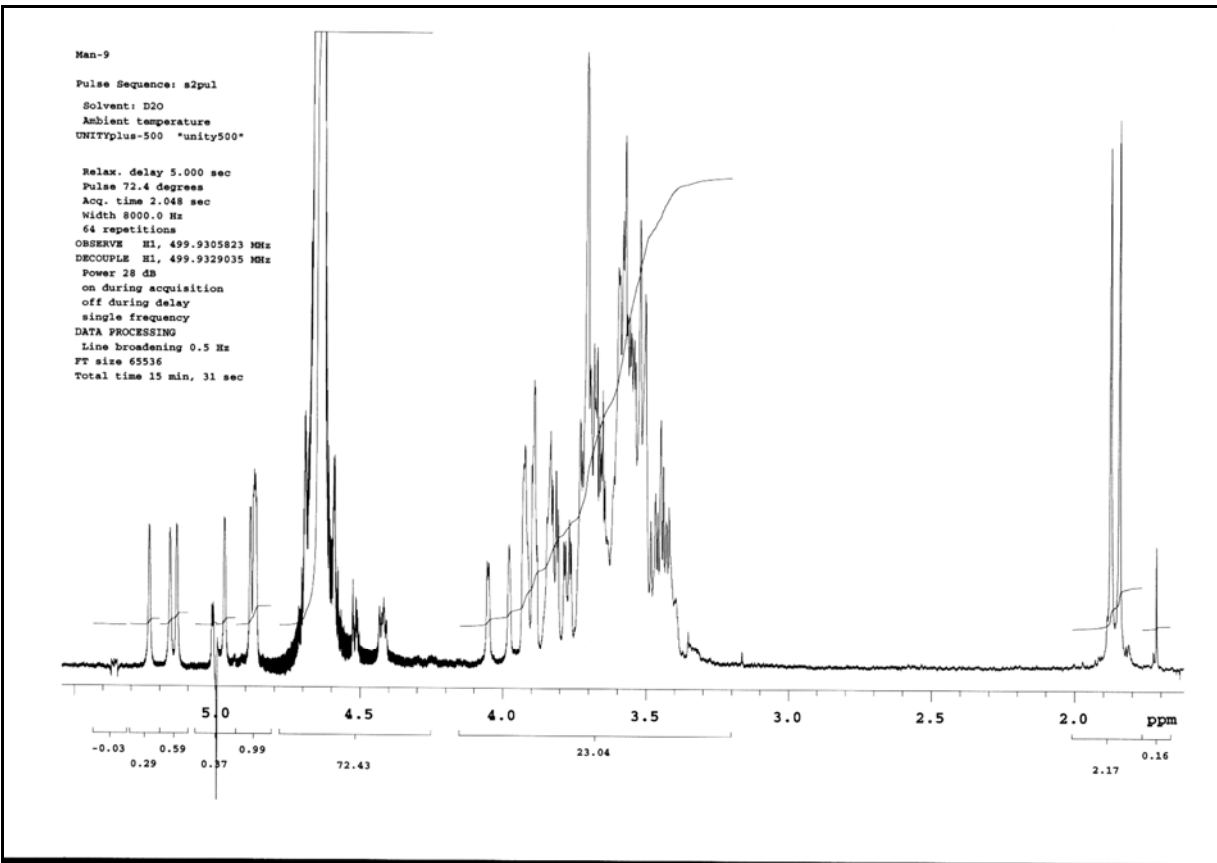


Figure 2: 500MHz ¹H-NMR of MAN 9 glycan BULK (CN-MAN9-BULK Batch B09A-01).

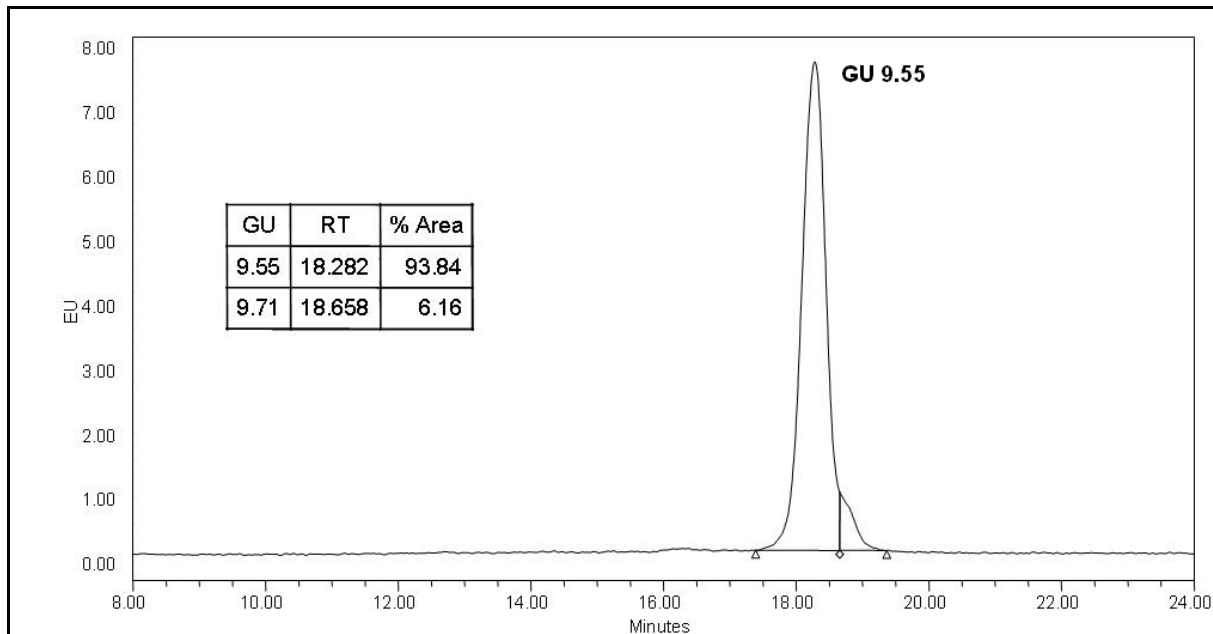


Figure 3: LudgerSepN2 chromatogram of 2AB labelled MAN 9 glycan (CN-MAN9-BULK, Batch B09A-01).

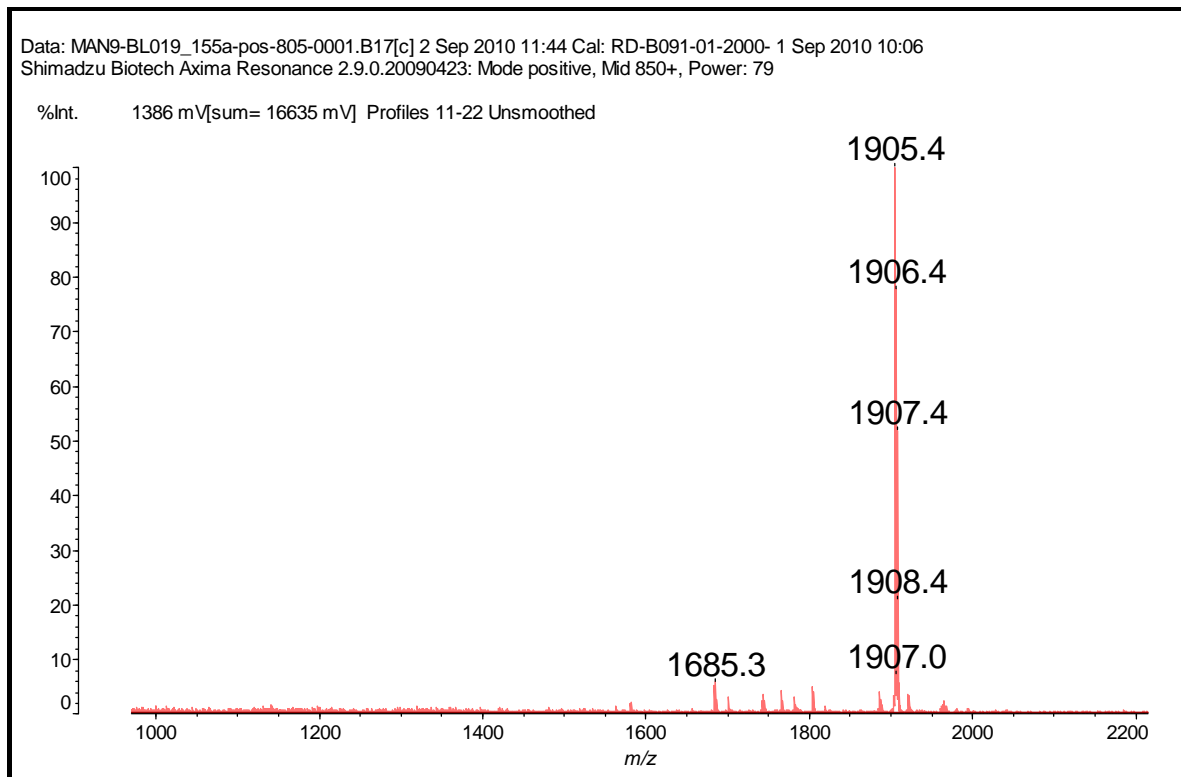


Figure 4: Positive ion mass spectrum of MAN 9 glycan (CN-MAN9-BULK, Batch B09A-01). Theoretical mass 1905.63 Da $[M+Na]^+$.