

Certificate of Analysis

LudgerPure™ APTS Labeled NGA2 Glycan

Cat. #: CAPTS –NGA2-01

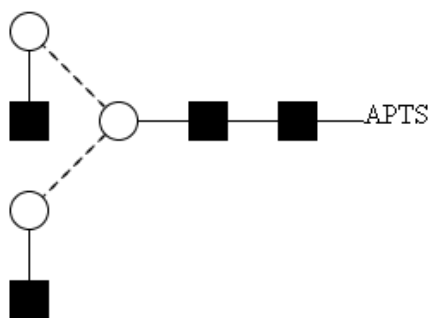
Batch: B287-02

Size: ~ 20 pmol

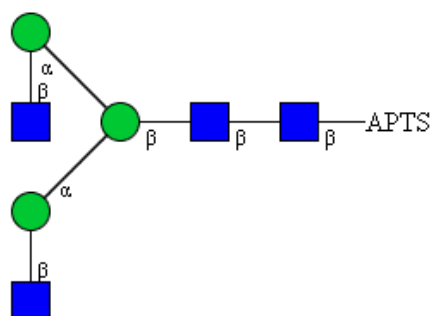
Alternative Names

G0 and A2

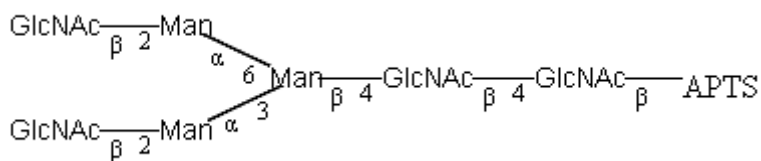
Structure



Oxford Notation



CFG Notation



Text Notation

{The Oxford Notation glycan structure is drawn according to the scheme developed by Oxford-Dublin Glycobiology Laboratory (see Fig 2)}.

Purity: > 80.00% APTS labelled NGA2 glycan, as assessed by uHPLC - see Fig 1.

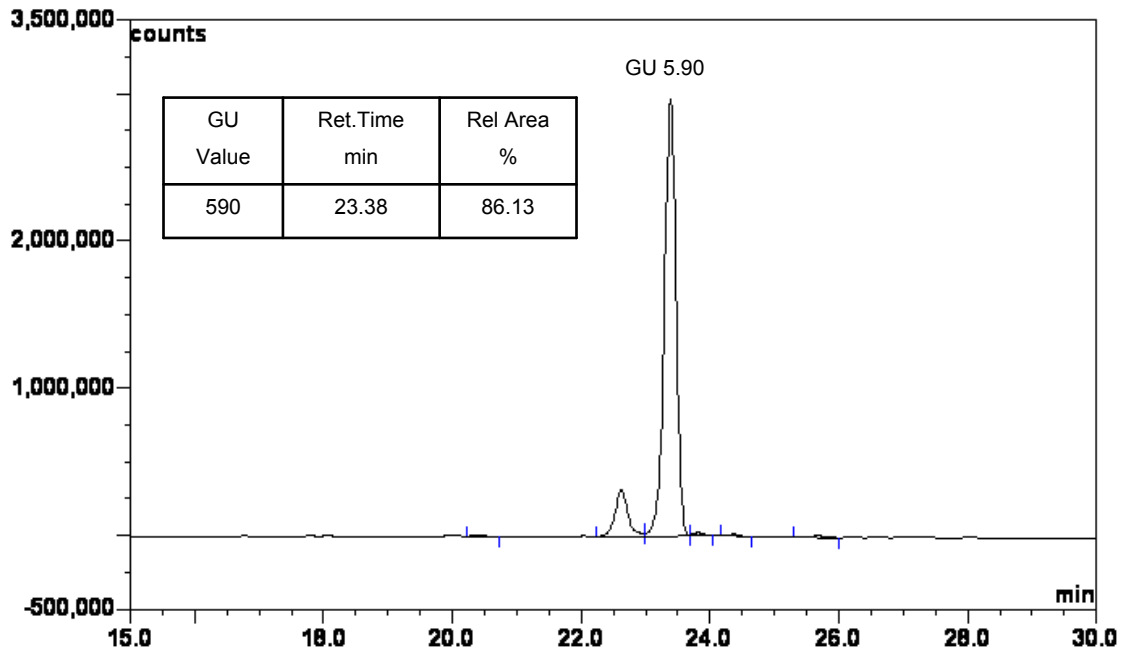


Figure 1: BEH uHPLC profile of APTS Labeled NGA2 Glycan (Cat. #: CAPTS-NGA2-01, Batch # B287-02).
NGA2 glycan structure identified by uHPLC. (GU value obtained from running internal GHP labelled with APTS).

The APTS labelled NGA2 glycan peak (figure 1) eluted at 23.38 minutes under the following uHPLC conditions:

Column: Waters BEH uHPLC column, 1.7 µM

Flow: 0.5 ml/min

Temperature: 60 °C

Solvent A: 50 mM Ammonium formate pH 4.4

Solvent B: 100 % Acetonitrile

Gradient:

- 0 min - 78 % B
- 38.5 min – 55.9 % B
- 40.5 min - 0 % B
- 42.5 min - 0 % B
- 44.5 min - 78 % B
- 55 min - 78 % B

Detector: Ultimate 3000

Excitation wavelength: 448 nm

Emission wavelength: 510 nm

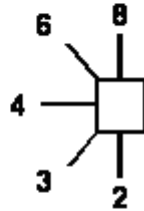
Symbol for sugar

- Glc
- GlcNAc
- ★ NeuNAc
- ◇ Gal
- ◆ GalNAc
- ◊ Fuc (deoxy galactose)
- Man
- △ Xylose

Fluorescent label

— APTS 8-Aminopyrene-1,3,6-trisulfonic acid

Linkage position



Linkage type

- β-linkage
- α-linkage
- ~ unknown β-linkage
- ~ unknown α-linkage

Figure 2: GlycoBase glycan structure key.