

Certificate of Analysis

LudgerPure™ 2AB Labeled NGA2 Glycan

Cat. #: CAB-NGA2-01

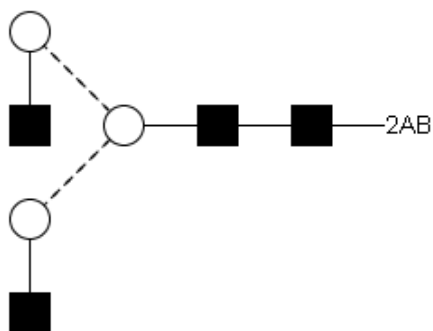
Batch: B18C-08

Size: approx. 100 pmol

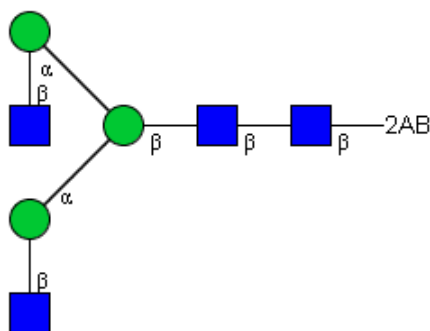
Alternative Names

NGA2 – G0 – A2

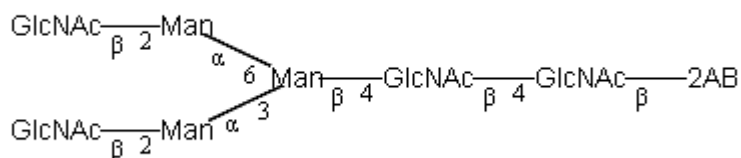
Structure



Oxford Notation



CFG Notation



Text Notation

Purity: > 90% 2AB labeled NGA2 glycan, as assessed by HPLC - see Fig 1.

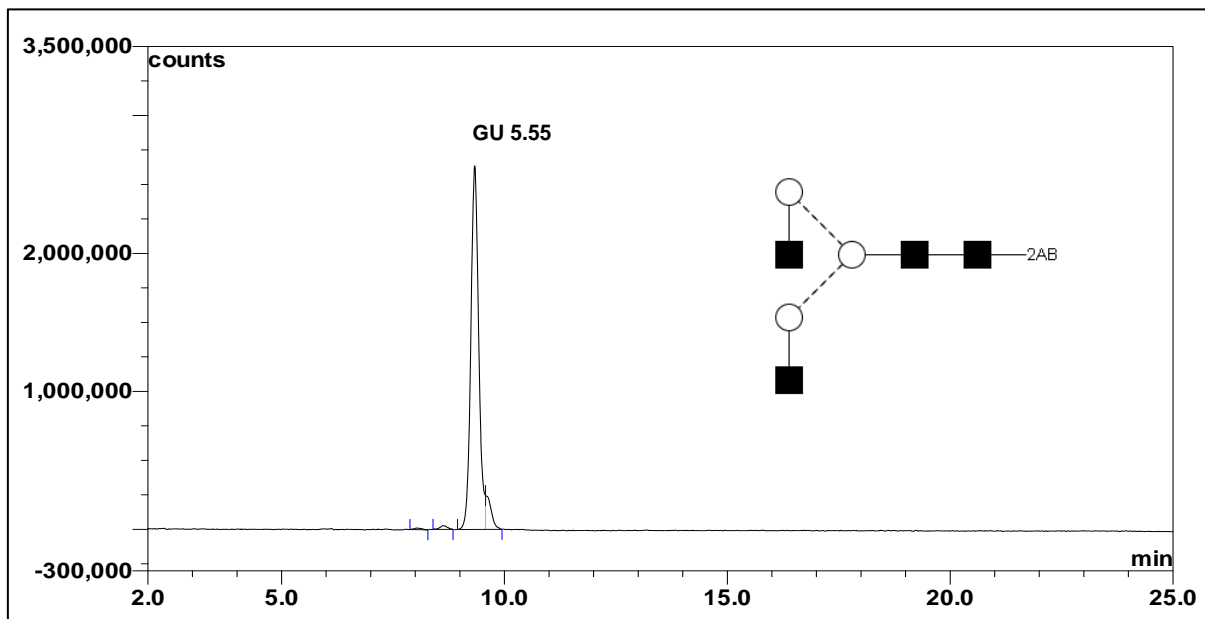


Figure 1: LudgerSepN2 HPLC profile of 2AB labeled NGA2 glycan (Cat. #: CAB-NGA2-01, Batch B18C-08).

**NGA2 glycan structure identified by MALDI, MS & HPLC (GU value comparison to GlycoBase). This structure is drawn according to the scheme developed by Oxford-Dublin Glycobiology Laboratory (see Fig 2).*

2-AB NGA2 peak seen above, eluted at 9.33 minutes, under the following conditions:

HPLC Running Conditions:

Column: LudgerSep N2 Amide (Cat. #: LS-N2-2.0x150)

Flow: 0.3 ml/min.

Temperature: 40 °C

Solvent A: 50 mM ammonium formate pH 4.4 Solvent B: 100 % acetonitrile

Gradient:

- 0 min – 65 % B
- 25 min – 40 % B
- 25.5 min – 0 % B
- 27.5 min – 0% B
- 29.5 min – 65 % B
- 35.1 min – 65 % B

Detector: Dionex FLD-3000

Excitation wavelength: 330 nm

Emission wavelength: 420 nm

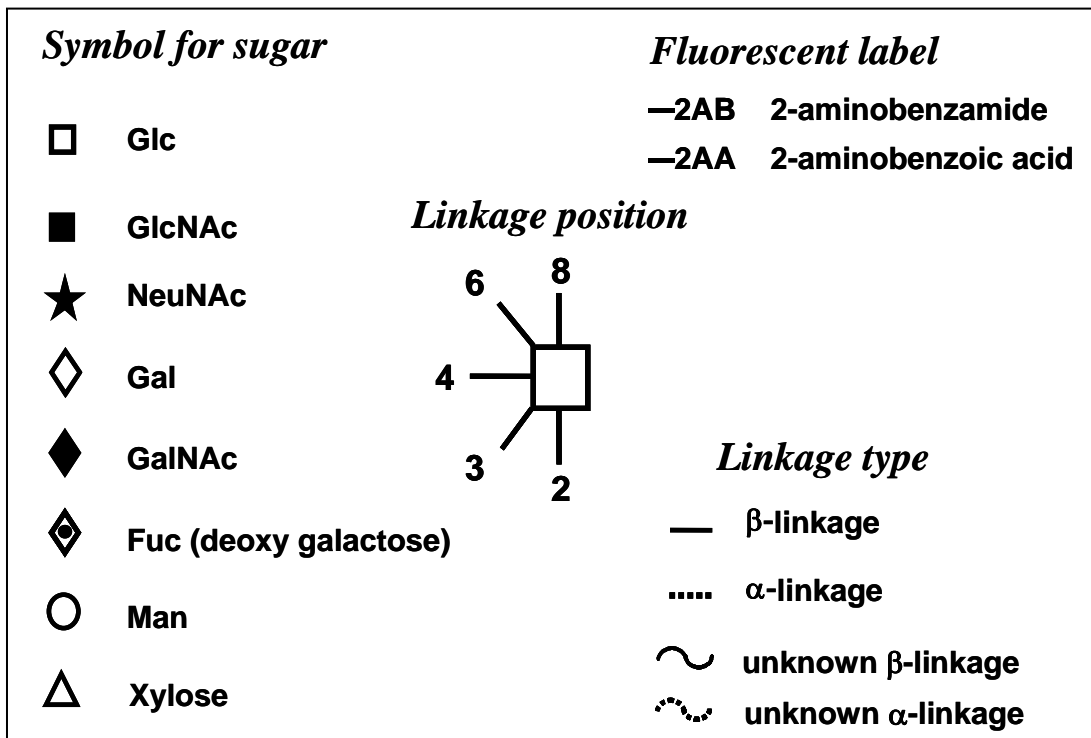


Figure 2: GlycoBase glycan structure key.