

## Certificate of Analysis

### LudgerPure™ 2AB Labeled NA4 Glycan

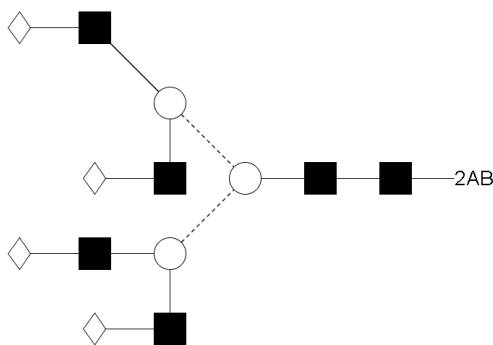
Cat. #: CAB-NA4-01  
 Size: approx. 100 pmol

Batch: B7AI-01  
 Expiry Date: 20 Oct 2022

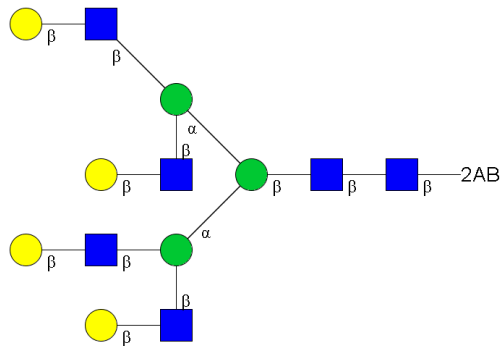
#### Alternative Names

A4G4

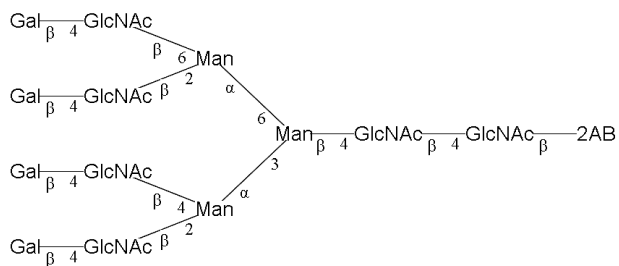
#### Structure



Oxford Notation



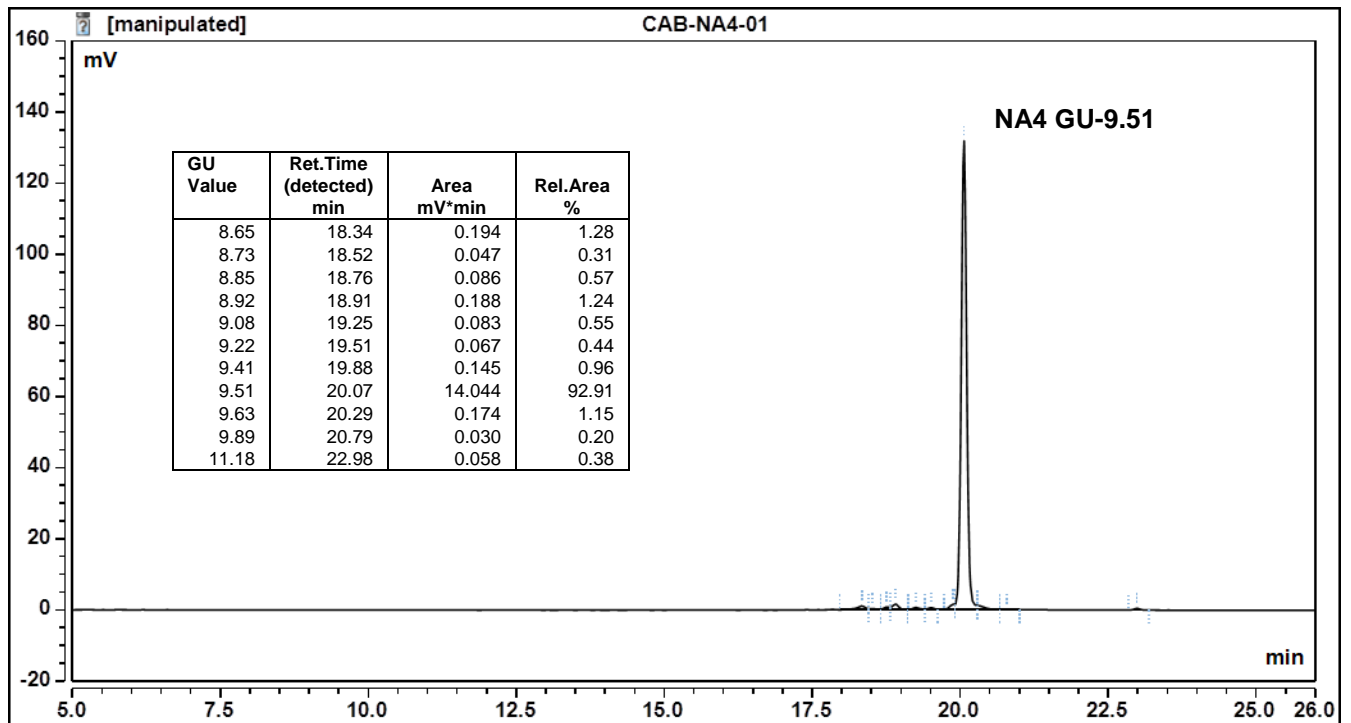
CFG Notation



Text Notation

**Purity:** 92.9% 2AB labeled NA4 glycan, as assessed by HPLC - see Fig 1.

**Amount:** Sample vial determined to contain 109.2 pmols NA4 glycan – Test performed 20 Oct 2017.



**Figure 1:** HILIC HPLC profile of 2AB labelled NA4 glycan (see method conditions below)

(Cat. #: CAB-NA4-01, Batch B7A1-01).

*\*NA4 glycan structure identified by MALDI, MS & HPLC (GU value comparison to GlycoBase). This structure is drawn according to the scheme developed by Oxford-Dublin Glycobiology Laboratory (see Fig 2).*

**2AB NA4 peak seen above, eluted at 20.1 minutes, under the following conditions:**

**Column:** Waters BEH Glycan 1.7µm column (150mm)

**Flow:** 0.56mL/min.

**Temperature:** 60 °C

**Solvent A:** 50mM ammonium formate pH 4.4      **Solvent B:** 100 % acetonitrile

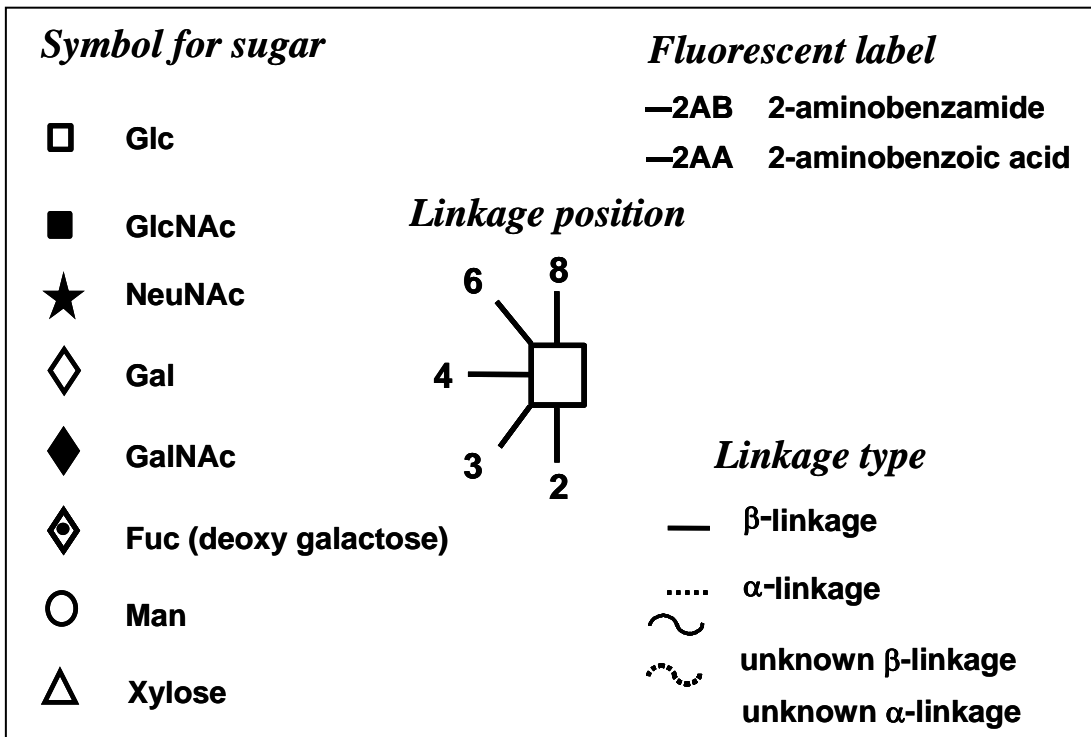
**Gradient:**

Time (min)	%B
0.0	78.0
1.5	78.0
24.8	58.0
25.8	40.0
25.9	78.0
31.0	78.0

**Detector:** Dionex FLD-3000

**Excitation wavelength:** 250 nm

**Emission wavelength:** 428 nm



**Figure 2:** GlycoBase glycan structure key.