

Certificate of Analysis

LudgerPure™ 2AB Labeled NA2F Glycan

Cat. #: CAB-NA2F-01

Batch: B7BF-03

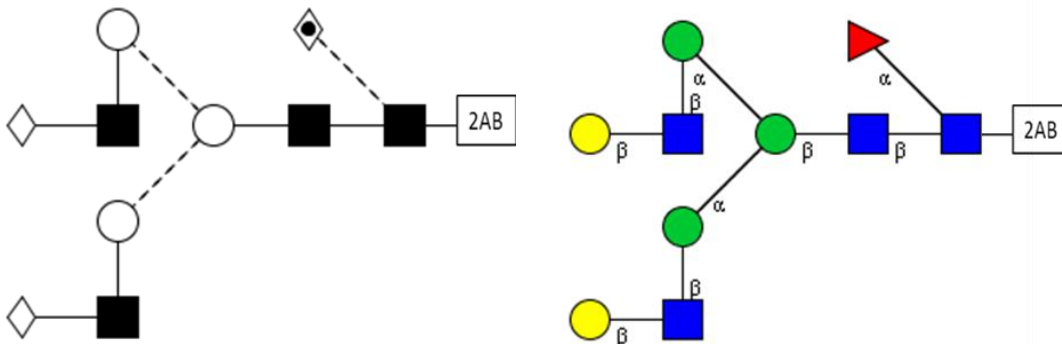
Size: approx. 100 pmol

Expiry Date: 16 Nov 2022

Alternative Names

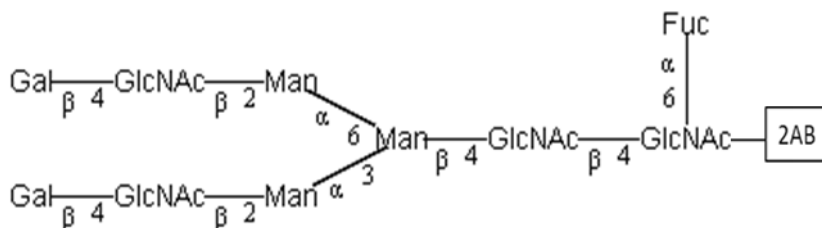
FA2G2, G2F

Structure



Oxford Notation

CFG Notation



Text Notation

Purity: 85.6% 2AB labeled NA2F glycan, as assessed by HPLC - see Fig 1.

Amount: Sample vial determined to contain 129.7 pmols NA2F glycan – Test performed 16 Nov 2017

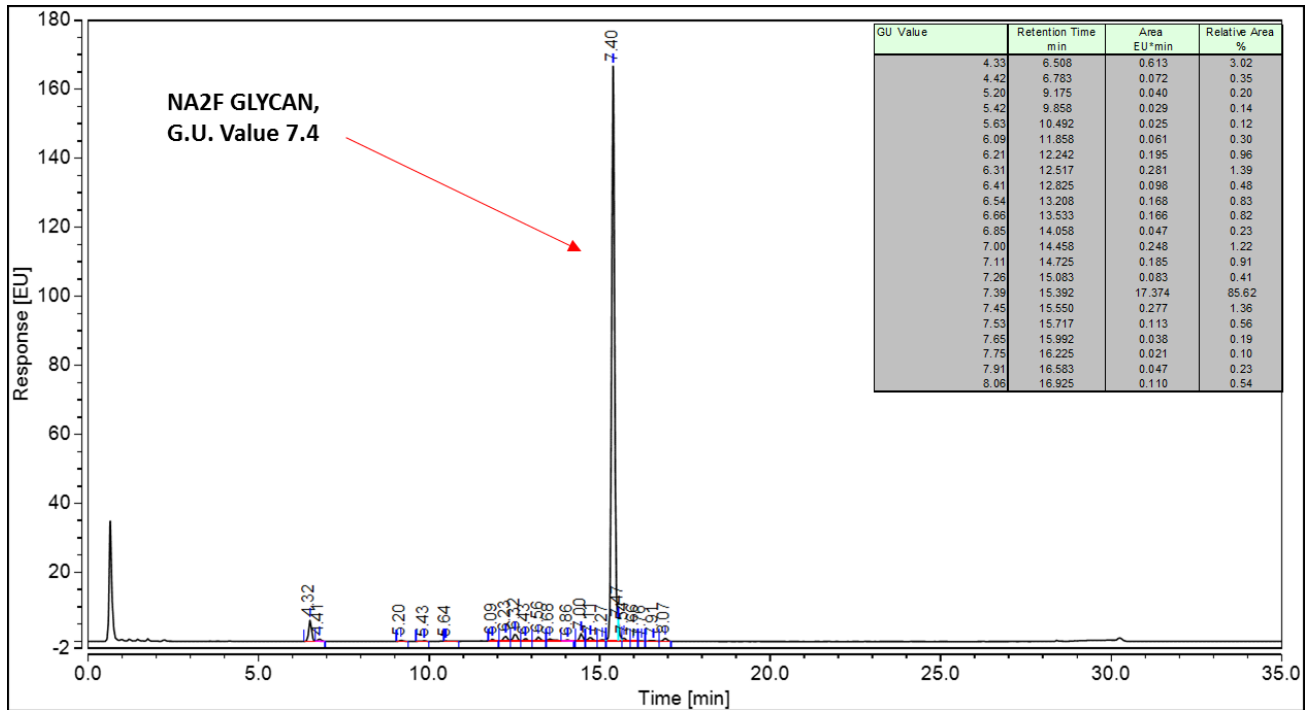


Figure 1: HILIC HPLC profile of 2AB labelled NA2F glycan (see method conditions below)

(Cat. #: CAB-NA2F-01, Batch B7BF-03).

*NA2F glycan structure identified by MALDI, MS & HPLC (GU value comparison to GlycoBase). This structure is drawn according to the scheme developed by Oxford-Dublin Glycobiology Laboratory (see Fig 2).

2AB NA2F peak seen above, eluted at 15.39 minutes, under the following conditions:

Column: Waters BEH Glycan 1.7µm column (150mm)

Flow: 0.56mL/min.

Temperature: 60 °C

Solvent A: 50mM ammonium formate pH 4.4 Solvent B: 100 % acetonitrile

Gradient:

Time (min)	%B
0.0	78.0
1.5	78.0
24.8	58.0
25.8	40.0
25.9	78.0
31.0	78.0

Detector: Dionex FLD-3000

Excitation wavelength: 250 nm

Emission wavelength: 428 nm

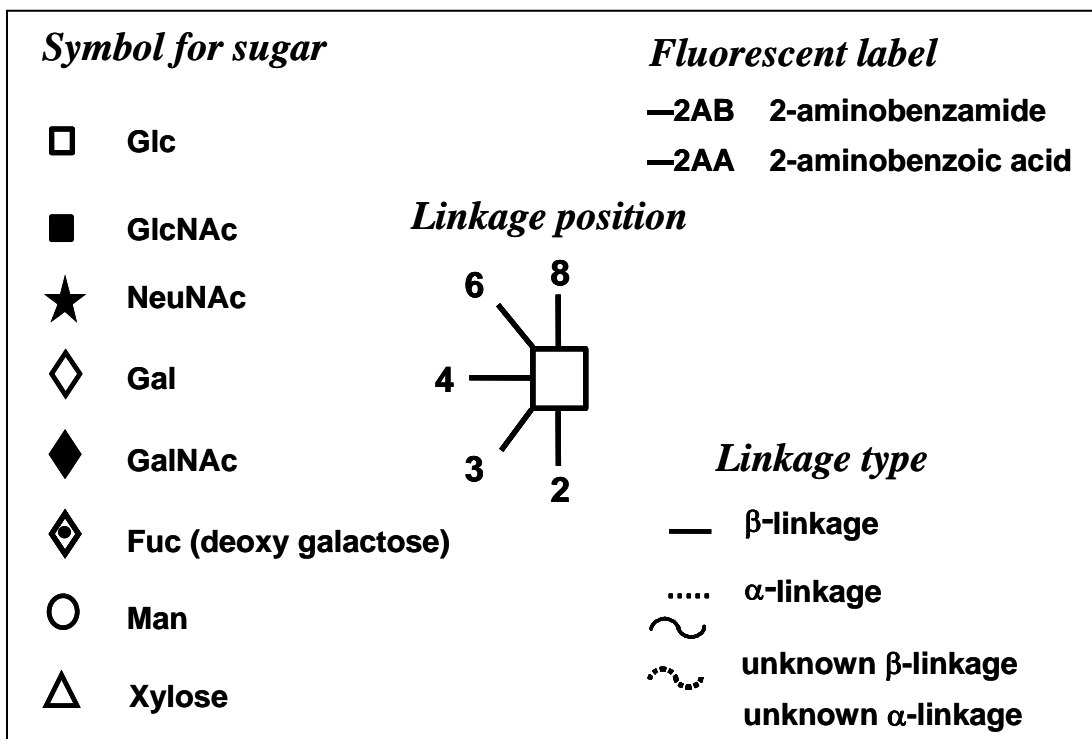


Figure 2: GlycoBase glycan structure key.