

## Certificate of Analysis

### LudgerPure™ 2AB Labeled NA2 Glycan

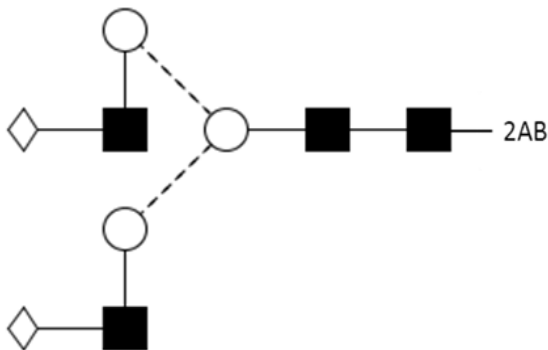
Cat. #: CAB-NA2-01  
 Size: approx. 100 pmol

Batch: B77P-03  
 Expiry Date: 19<sup>th</sup> Sept 2022

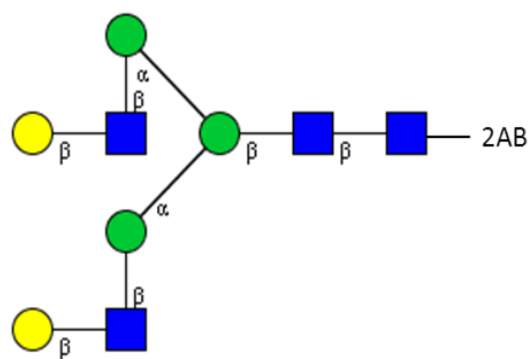
#### Alternative Names

A2G2, G2

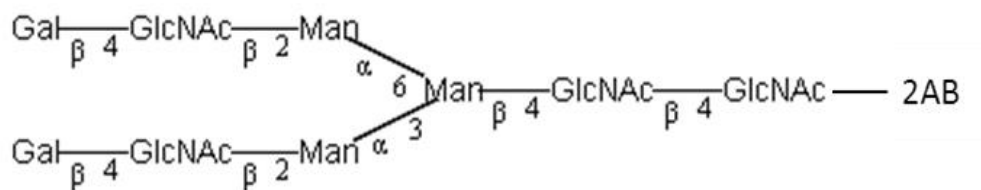
#### Structure



Oxford Notation



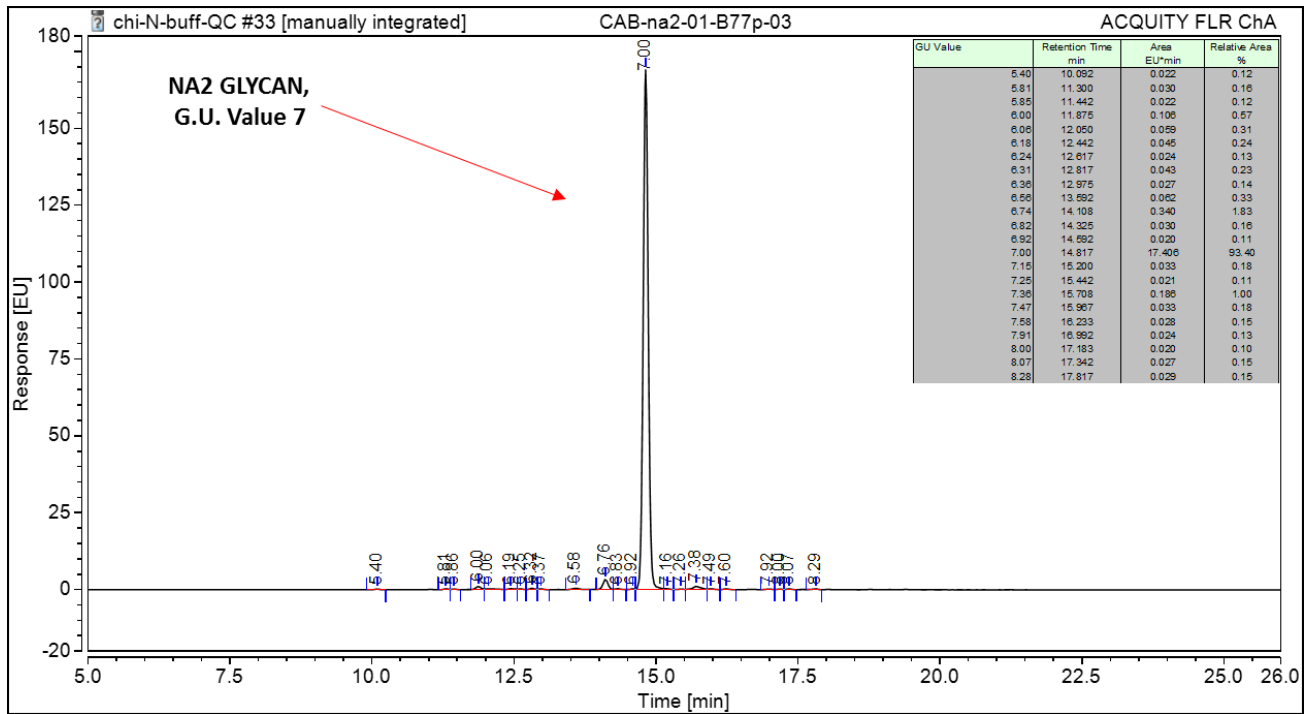
CFG Notation



Text Notation

**Purity:** 93.4% 2AB labeled NA2 glycan, as assessed by HPLC - see Fig 1.

**Amount:** Sample vial determined to contain 104.7 pmols NA2 glycan – Test performed 19<sup>th</sup> Sept 2017.



**Figure 1:** HILIC HPLC profile of 2AB labelled NA2 glycan (see method conditions below)

(Cat. #: CAB-NA2-01, Batch B77P-03).

\*NA2 glycan structure identified by MALDI, MS & HPLC (GU value comparison to GlycoBase). This structure is drawn according to the scheme developed by Oxford-Dublin Glycobiology Laboratory (see Fig 2).

**2AB NA2 peak seen above, eluted at 14.8 minutes, under the following conditions:**

Column: Waters BEH Glycan 1.7µm column (150mm)

Flow: 0.56mL/min.

Temperature: 60 °C

Solvent A: 50mM ammonium formate pH 4.4      Solvent B: 100 % acetonitrile

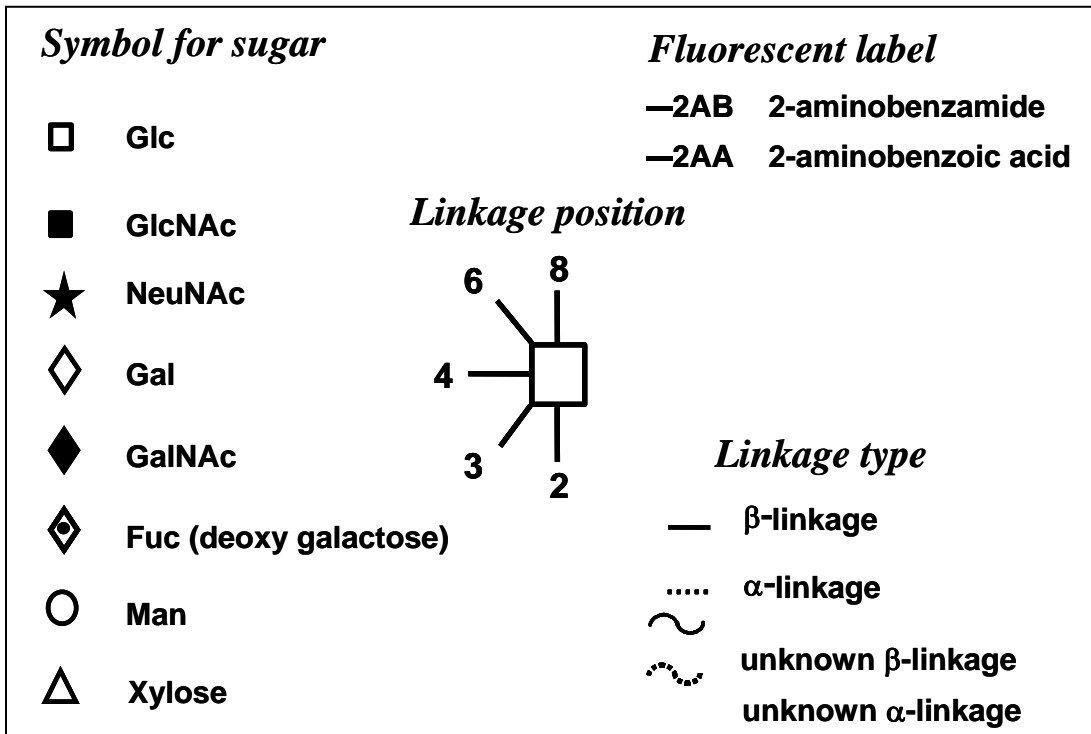
Gradient:

Time (min)	%B
0.0	78.0
1.5	78.0
24.8	58.0
25.8	40.0
25.9	78.0
31.0	78.0

Detector: Dionex FLD-3000

Excitation wavelength: 250 nm

Emission wavelength: 428 nm



**Figure 2:** GlycoBase glycan structure key.