

Certificate of Analysis

LudgerPure™ 2AB Labeled FA2G1 Glycan

Cat. #: CAB-FA2G1-01

Batch: B7AN-01

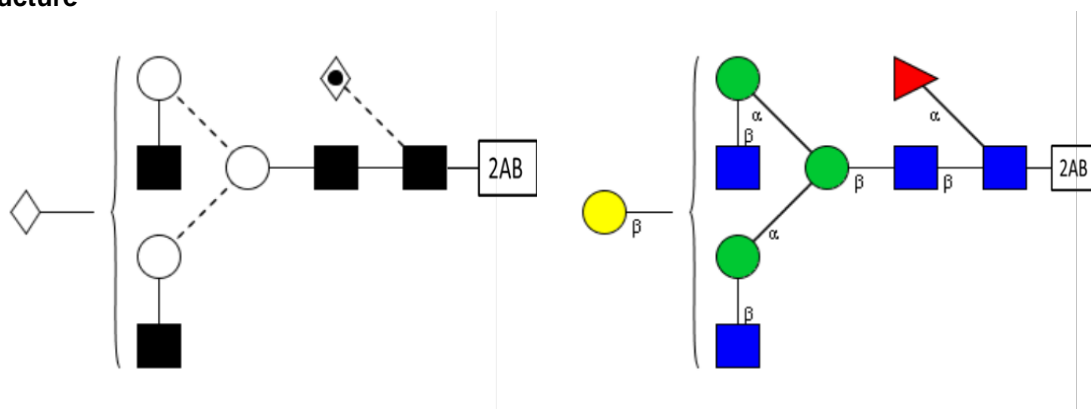
Size: approx. 100 pmol

Expiry Date: 27TH Oct 2022

Alternative Names

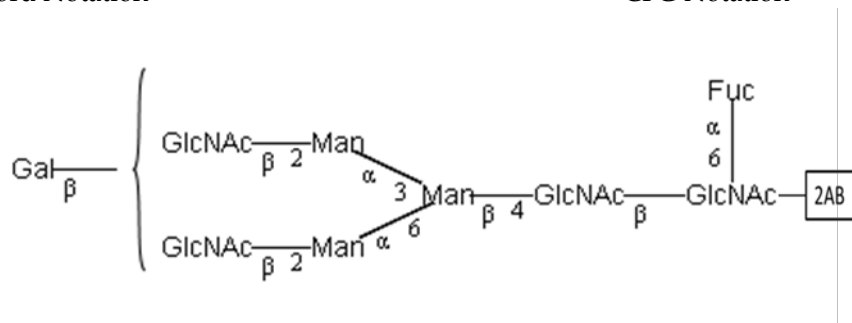
G1F

Structure



Oxford Notation

CFG Notation



Text Notation

Purity: 96.2% 2AB labeled FA2G1 glycan, as assessed by HPLC - see Fig 1.

Amount: Sample vial determined to contain 138.8 pmols FA2G1 glycan – Test performed 27TH Oct 2017.

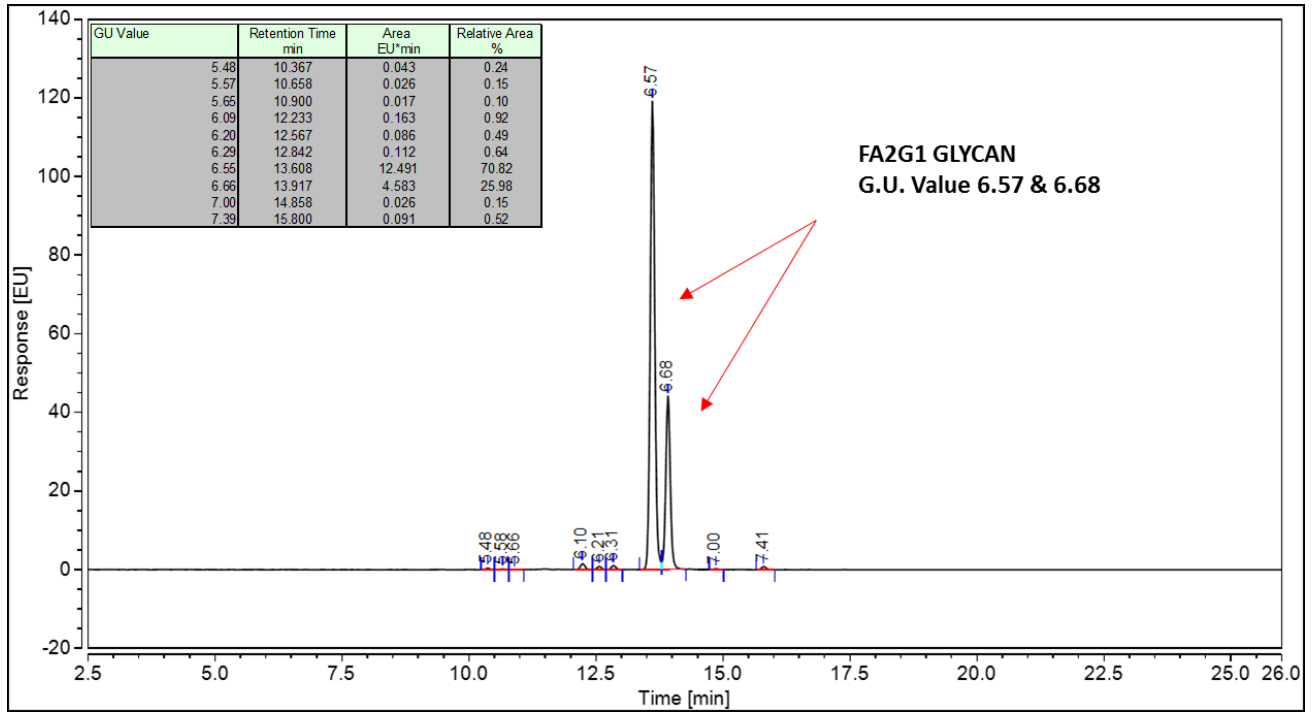


Figure 1: HILIC HPLC profile of 2AB labelled FA2G1 glycan (see method conditions below)

(Cat. #: CAB-FA2G1-01, Batch B7AN-01).

**FA2G1 glycan structure identified by MALDI, MS & HPLC (GU value comparison to GlycoBase). This structure is drawn according to the scheme developed by Oxford-Dublin Glycobiology Laboratory (see Fig 2).*

2AB FA2G1 peak seen above, eluted at 6.55-6.66 minutes, under the following conditions:

Column: Waters BEH Glycan 1.7µm column (150mm)

Flow: 0.56mL/min.

Temperature: 60 °C

Solvent A: 50mM ammonium formate pH 4.4 Solvent B: 100 % acetonitrile

Gradient:

Time (min)	%B
0.0	78.0
1.5	78.0
24.8	58.0
25.8	40.0
25.9	78.0
31.0	78.0

Detector: Dionex FLD-3000

Excitation wavelength: 250 nm

Emission wavelength: 428 nm

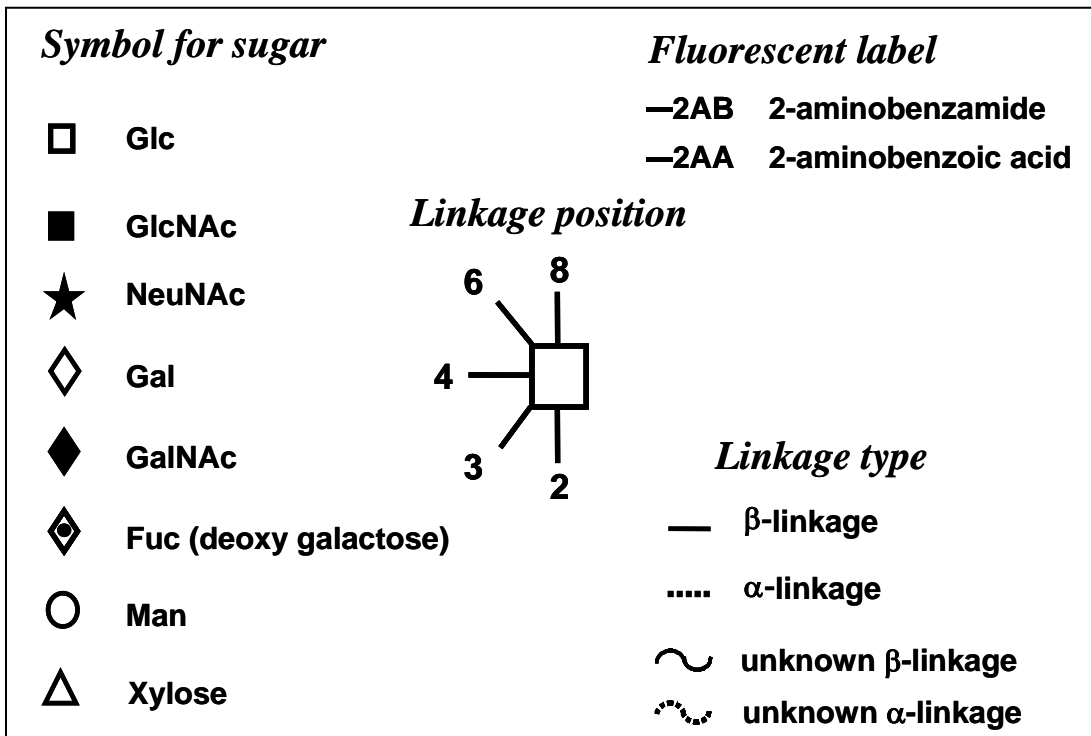


Figure 2: GlycoBase glycan structure key.