

Certificate of Analysis

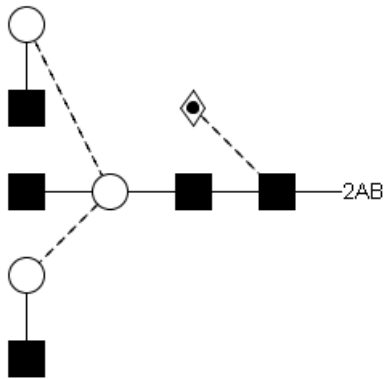
LudgerPure™ 2AB Labeled FA2B Glycan

Cat. #: CAB-FA2B-01

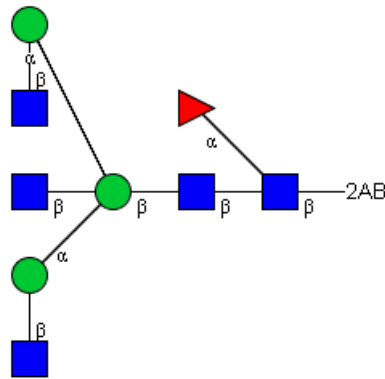
Batch: B0B8-01

Size: approx. 100 pmol

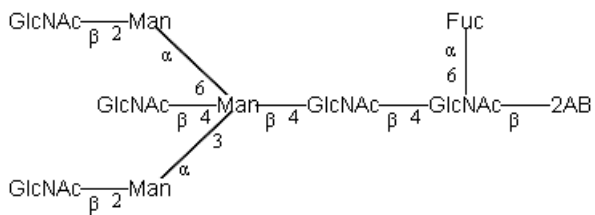
Structure



CFG Notation



Oxford Notation



Text Notation

Purity: > 90% 2AB labeled FA2B glycan, as assessed by HPLC - see Fig 1.

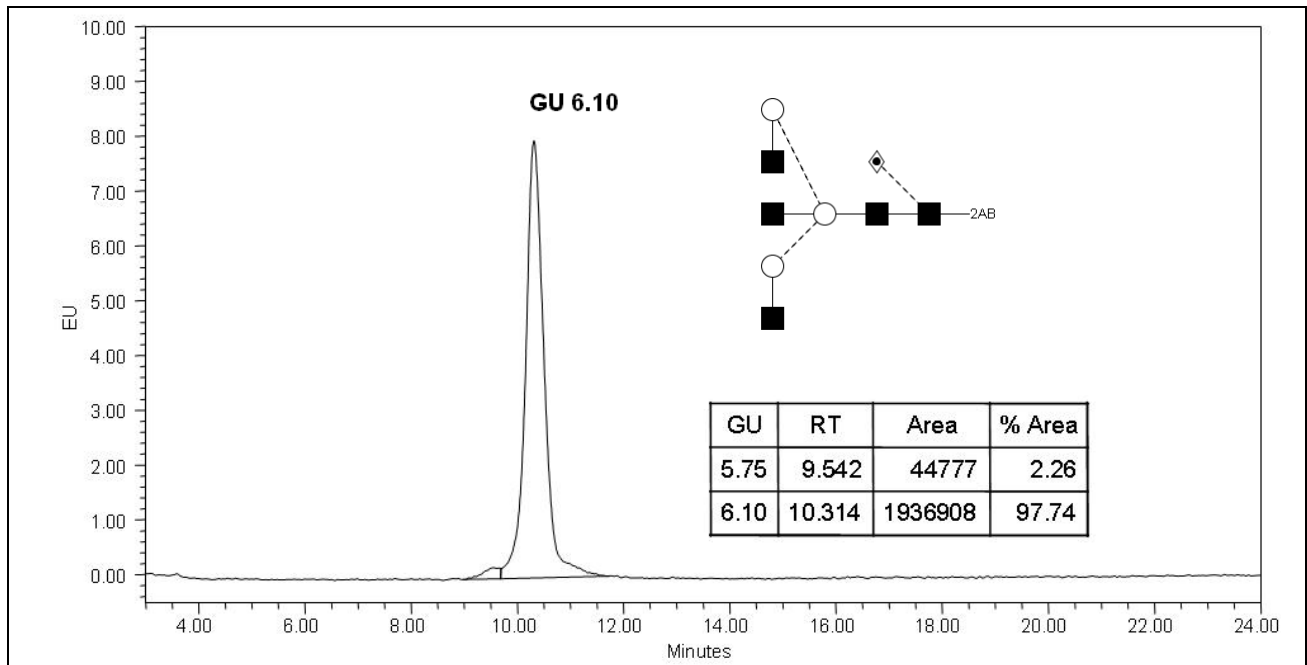


Figure 1 : LudgerSepN2 HPLC profile of 2AB labeled FA2B glycan (Cat. #: CAB -FA2B-01, Batch B0B8-01).

**FA2B glycan structure identified by MALDI, MS & HPLC (GU value comparison to GlycoBase). This structure is drawn according to the scheme developed by Oxford-Dublin Glycobiology Laboratory (see Fig 2).*

2-AB FA2B peak seen above, eluted at 10.31 minutes, under the following conditions:

HPLC Running Conditions:

Column: LudgerSep N2 Amide (Cat. #: LS-N2-4.6x150)

Flow: 1.0 ml/min.

Temperature: 35 °C

Solvent A: 50 mM ammonium formate pH 4.4 Solvent B: 100 % acetonitrile

Gradient:

- 0 min – 65 % B
- 22.5 min – 54 % B
- 24.5 min – 0 % B
- 26 min – 65% B
- 30 min – 65 % B
- 45 min – 65 % B

Detector: Waters 2475 Excitation wavelength: 330 nm

Emission wavelength: 420 nm

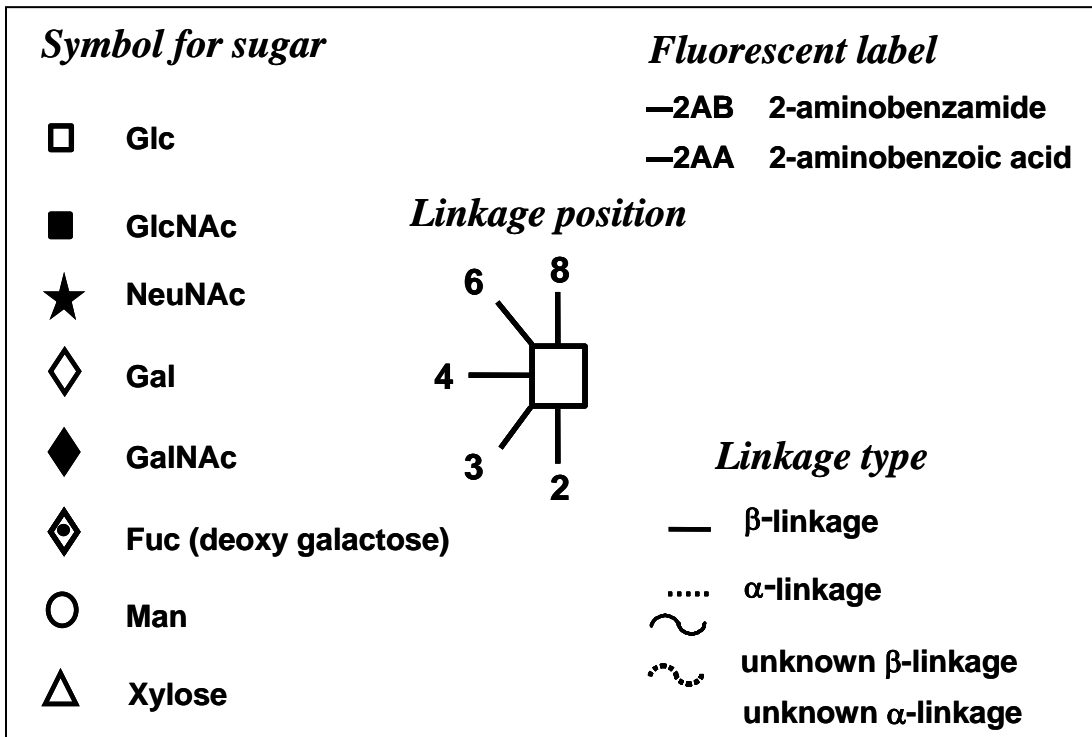


Figure 2: GlycoBase glycan structure key.