

Certificate of Analysis

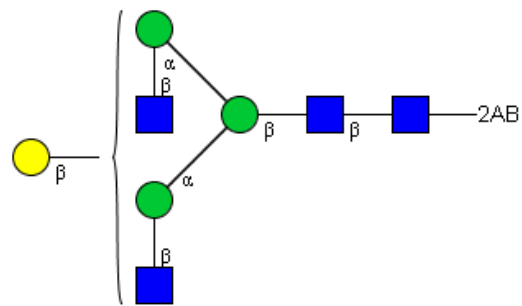
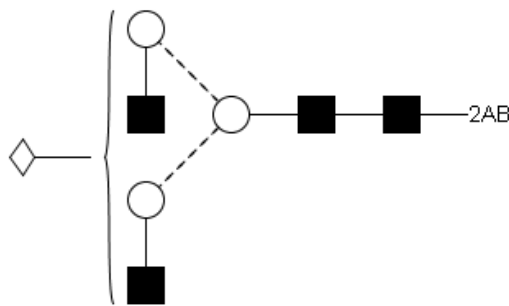
LudgerPure™ 2AB Labeled A2G1 Glycan

Cat. #: CAB-A2G1-01

Batch: B326-05

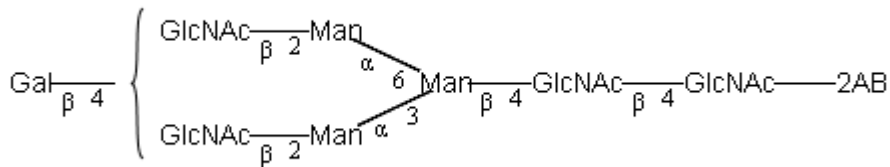
Size: approx. 100 pmol

Structure



Oxford Notation

CFG Notation



Text Notation

Purity: 98.4% 2AB labeled A2G1 glycan, as assessed by HPLC - see Fig 1.

Amount: Sample vial determined to contain 118 pmols A2G1 glycan – Test performed 08 Feb 2013.

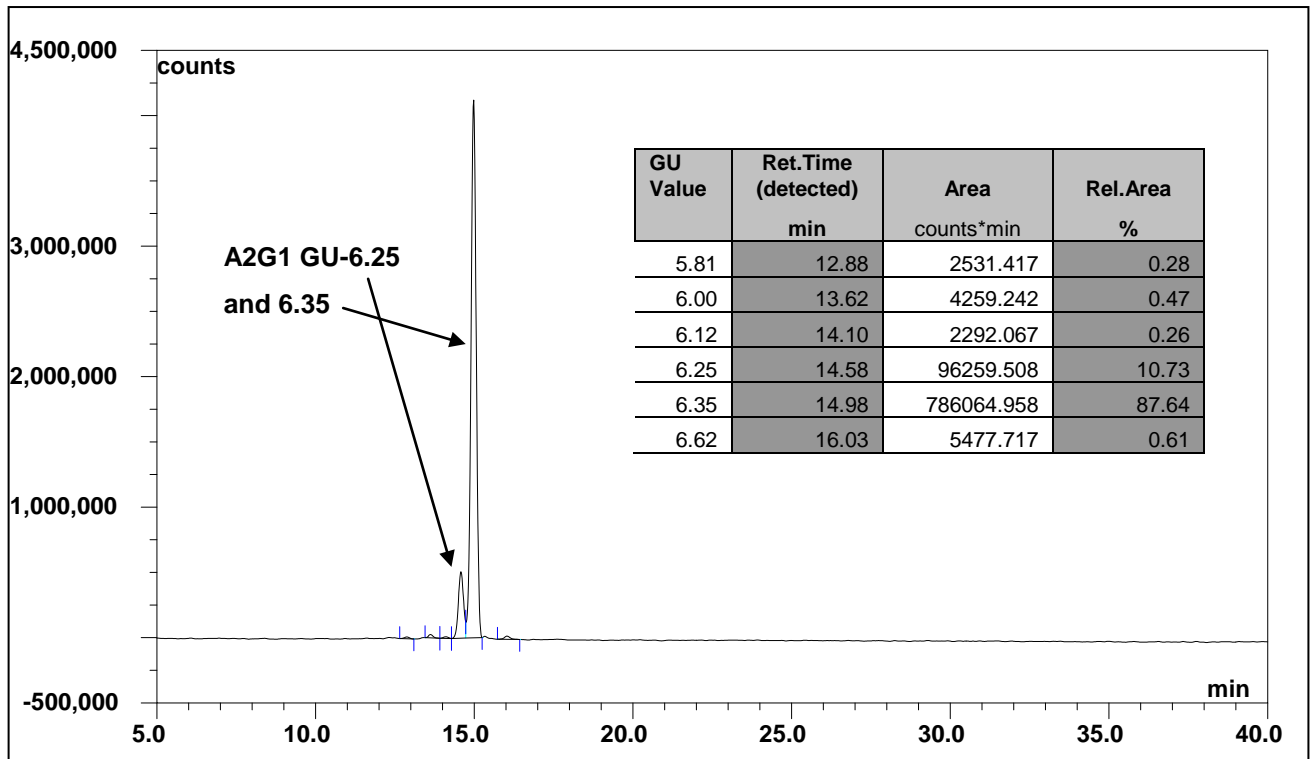


Figure 1: HILIC HPLC profile of 2AB labelled A2G1 glycan (see method conditions below) (Cat. #: CAB-A2G1-01, Batch B326-05).

**A2G1 glycan structure identified by MALDI, MS & HPLC (GU value comparison to GlycoBase). This structure is drawn according to the scheme developed by Oxford-Dublin Glycobiology Laboratory (see Fig 2).*

2-AB A2G1 peak seen above, eluted at 14.6 and 15.0 minutes, under the following conditions:

HPLC Running Conditions:

Column: **Waters BEH Glycan 1.7µm column (150mm)**

Flow: See table below.

Temperature: 60 °C

Solvent A: 50mM ammonium formate pH 4.4 Solvent B: 100 % acetonitrile

Gradient:

Time (min)	%B	Flow rate (mL/min)
0.0	78.0	0.50
38.5	55.9	0.50
40.5	0.0	0.25
42.5	0.0	0.25
44.5	78.0	0.25
50.5	78.0	0.25
51.5	78.0	0.50
55.0	78.0	0.50

Detector: Dionex FLD-3000

Excitation wavelength: 330 nm

Emission wavelength: 420 nm

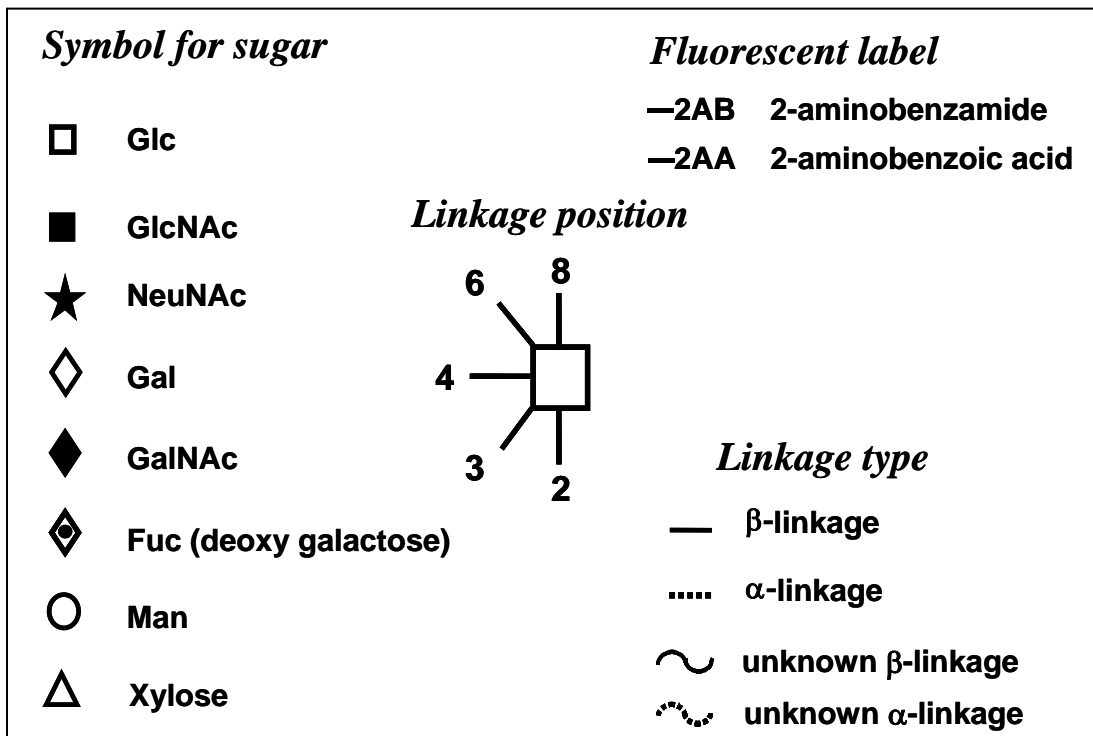


Figure 2: GlycoBase glycan structure key.