

Certificate of Analysis

LudgerPure™ AB Labeled A2F Glycan

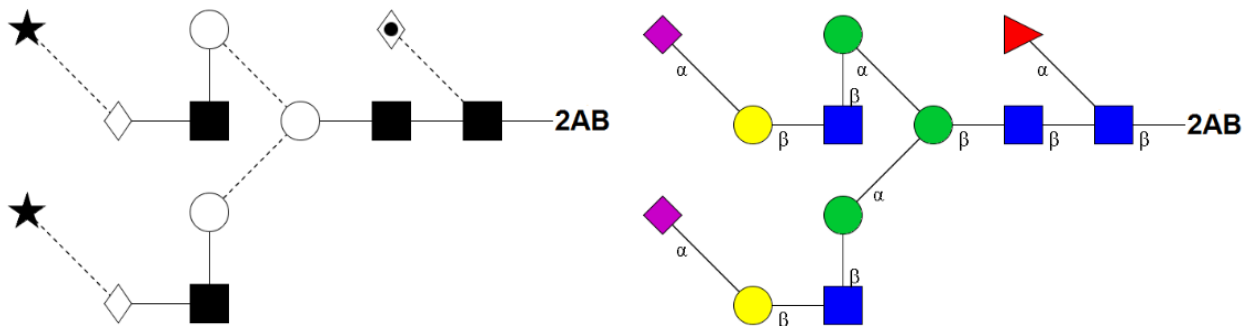
Cat. #: CAB-A2F-01
 Size: approx. 100 pmol

Batch: B92K-01
 Expiry Date: 21 Feb 2024

Alternative Names

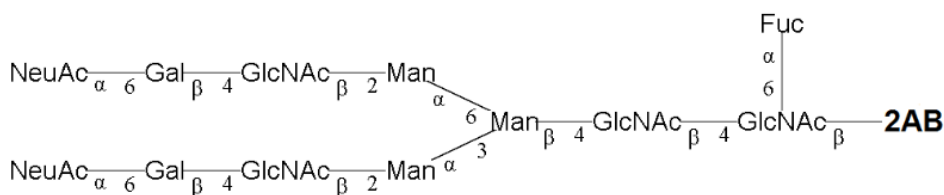
FA2G2S2, G2FS2

Glycan Structure



Oxford Notation

CFG Notation



Text Notation

Purity: 89.98% 2AB labeled A2F glycan, as assessed by HPLC - see Fig 1.

Amount: Sample vial determined to contain 96.6 pmols A2F glycan – Test performed 21 Feb 2019.

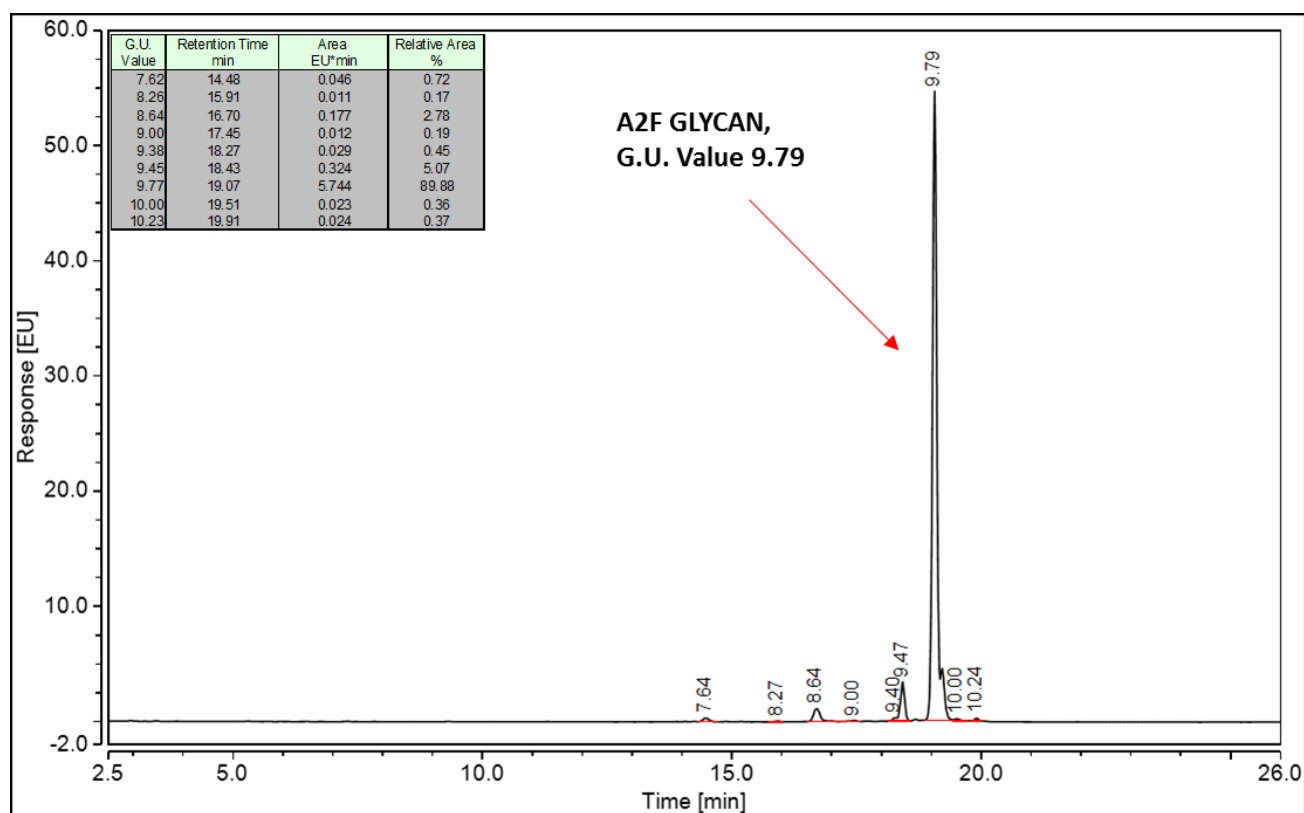


Figure 1: HILIC HPLC profile of 2AB labelled A2F glycan (see method conditions below) (Cat. #: CAB-A2F-01, Batch B92K-01).

*A2Fglycan structure identified by MALDI, MS & HPLC (GU value comparison to GlycoBase). This structure is drawn according to the scheme developed by Oxford-Dublin Glycobiology Laboratory (see Fig 2).

2AB A2F peak seen above, eluted at 19 minutes, under the following conditions:

Column: Waters BEH Glycan 1.7µm column (150mm)

Flow: 0.56mL/min.

Temperature: 60 °C

Solvent A: 50mM ammonium formate pH 4.4 **Solvent B:** 100 % acetonitrile

Gradient:

Time (min)	%B
0.0	78.0
1.5	78.0
24.8	58.0
25.8	40.0
25.9	78.0
31.0	78.0

Detector: Fluorescence

Excitation wavelength: 250 nm

Emission wavelength: 428 nm

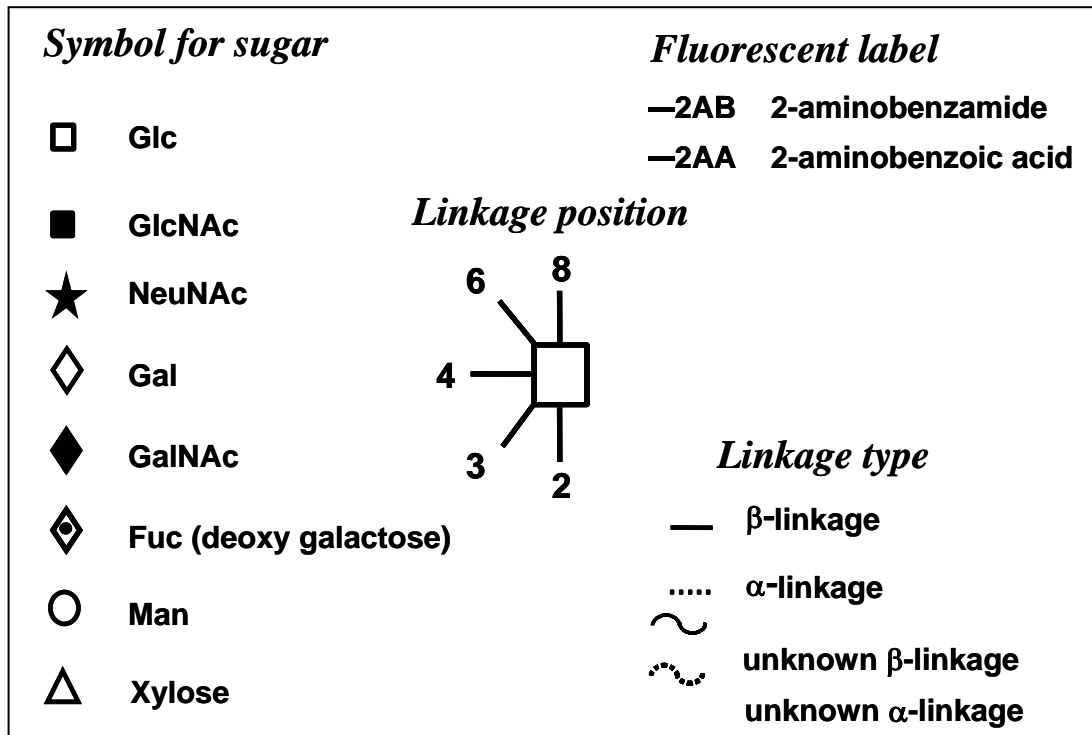


Figure 2: GlycoBase glycan structure key.