

Certificate of Analysis

LudgerPure™ 2AA Labeled NGA2 Glycan

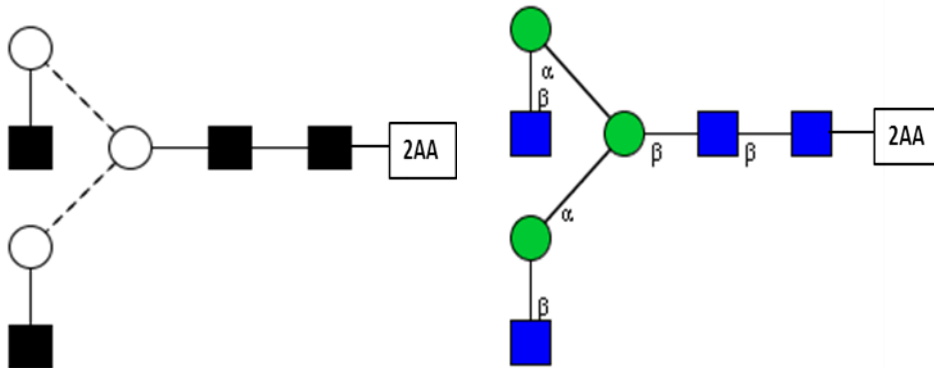
Cat. #: CAA-NGA2-01

Batch: B597-01

Size: approx. 100 pmol

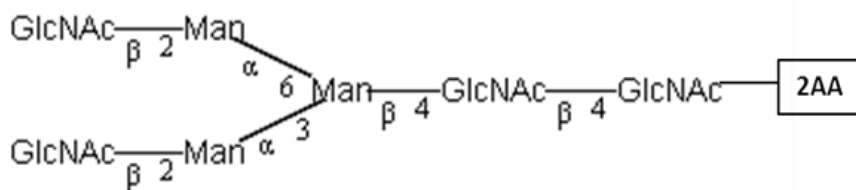
Alternative Names

Structure



Oxford Notation

CFG Notation



Text Notation

Purity: 92.51% 2AA labeled NGA2 glycan, as assessed by HPLC - see Fig 1.

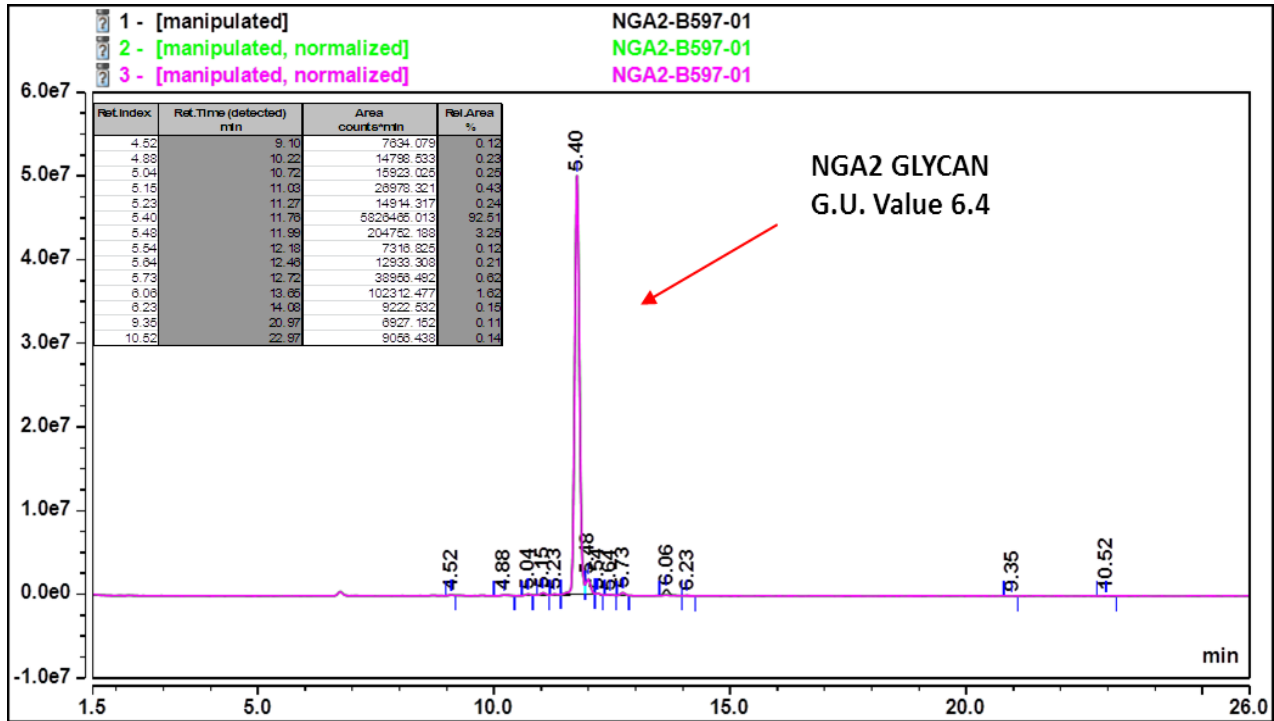


Figure 1: HILIC HPLC profile of 2AA labelled NGA2 glycan (see method conditions below)
 (Cat. #: CAA-NGA2-01, Batch B597-01).

**NGA2 glycan structure identified by MALDI, MS & HPLC (GU value comparison to GlycoBase). This structure is drawn according to the scheme developed by Oxford-Dublin Glycobiology Laboratory (see Fig 2).*

2-AA NGA2 peak seen above, eluted at 11.75 minutes, under the following conditions:

Column: Waters BEH Glycan 1.7µm column (150mm)

Flow: 0.56mL/min.

Temperature: 60 °C

Solvent A: 50mM ammonium formate pH 4.4 Solvent B: 100 % acetonitrile

Gradient:

Time (min)	%B
0.0	78.0
1.5	78.0
24.8	58.0
25.8	40.0
25.9	78.0
31.0	78.0

Detector: Dionex FLD-3000

Excitation wavelength: 250 nm

Emission wavelength: 428 nm

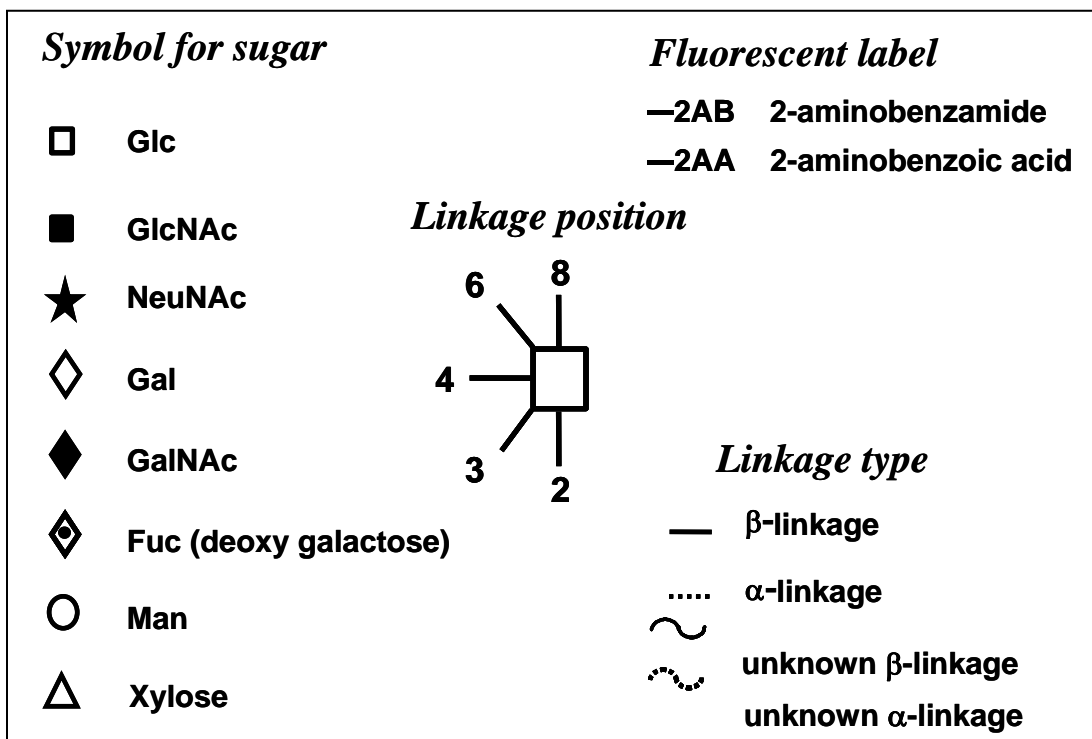


Figure 2: GlycoBase glycan structure key.