

## Certificate of Analysis

### LudgerPure™ 2AA Labeled FA2B Glycan

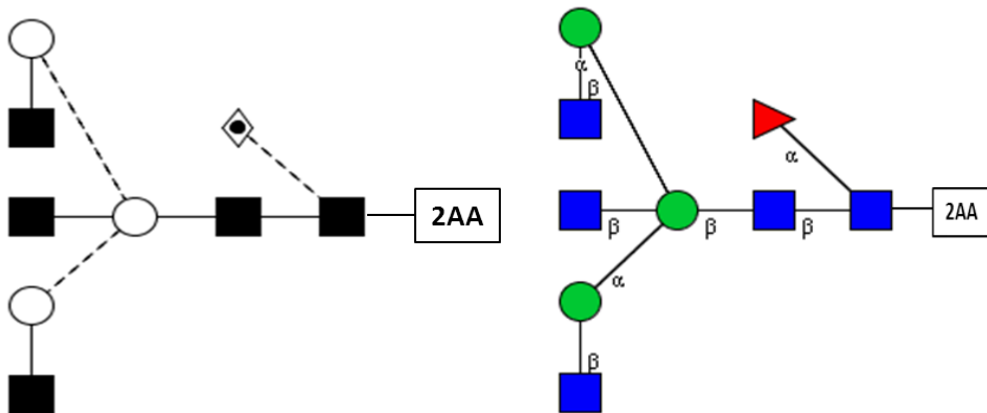
Cat. #: CAA-FA2B-01

Batch: B593-01

Size: approx. 100 pmol

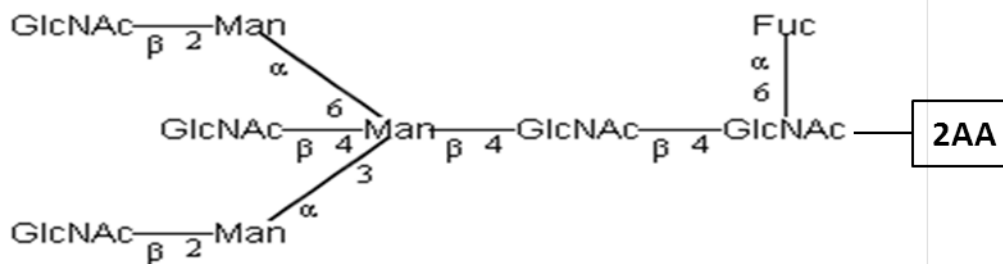
#### Alternative Names

#### Structure



#### Oxford Notation

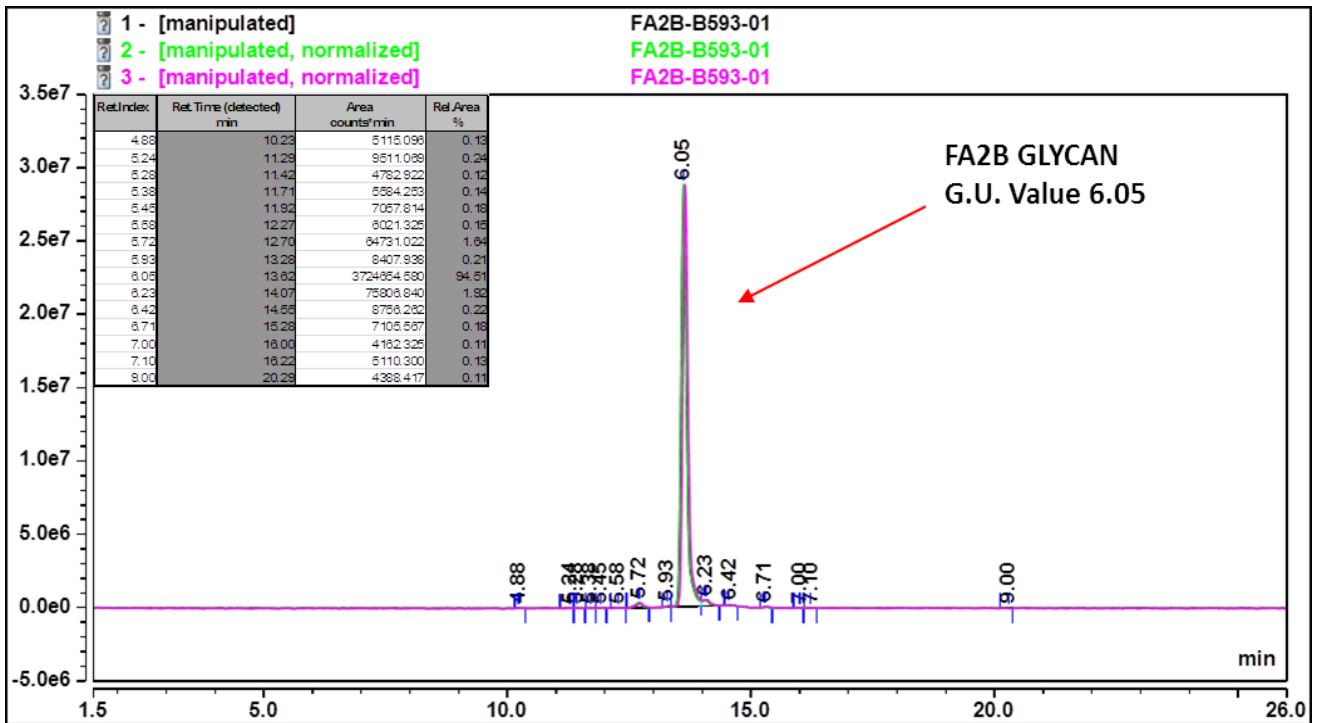
#### CFG Notation



#### Text Notation

**Purity:** 92.37% 2AA labeled FA2B glycan, as assessed by HPLC - see Fig 1.

**Amount:** Sample vial determined to contain 66.4 pmols FA2B glycan – Test performed 7<sup>TH</sup> September 2015.



**Figure 1:** HILIC HPLC profile of 2AA labelled FA2B glycan (see method conditions below)  
 (Cat. #: CAA-FA2B-01, Batch B593-01).

*\*FA2B glycan structure identified by MALDI, MS & HPLC (GU value comparison to GlycoBase). This structure is drawn according to the scheme developed by Oxford-Dublin Glycobiology Laboratory (see Fig 2).*

**2-AA FA2B peak seen above, eluted at 13.02 minutes, under the following conditions:**

Column: Waters BEH Glycan 1.7µm column (150mm)

Flow: 0.56mL/min.

Temperature: 60 °C

Solvent A: 50mM ammonium formate pH 4.4      Solvent B: 100 % acetonitrile

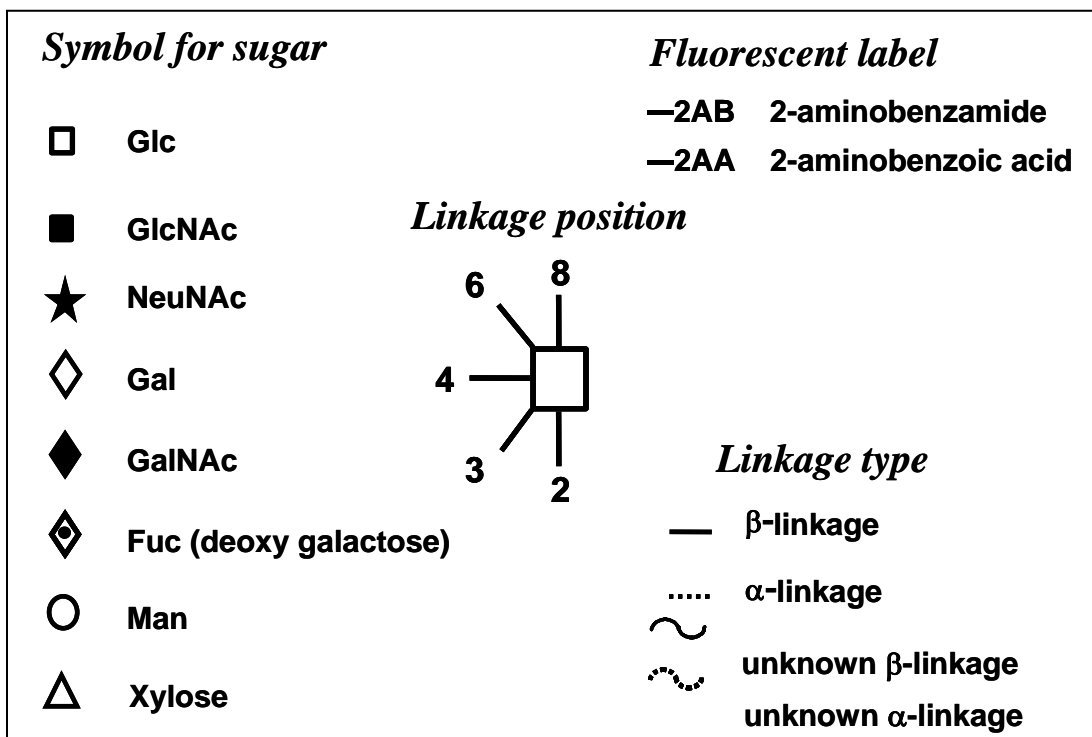
Gradient:

Time (min)	%B
0.0	78.0
1.5	78.0
24.8	58.0
25.8	40.0
25.9	78.0
31.0	78.0

Detector: Dionex FLD-3000

Excitation wavelength: 250 nm

Emission wavelength: 428 nm



**Figure 2:** GlycoBase glycan structure key.