

Certificate of Analysis

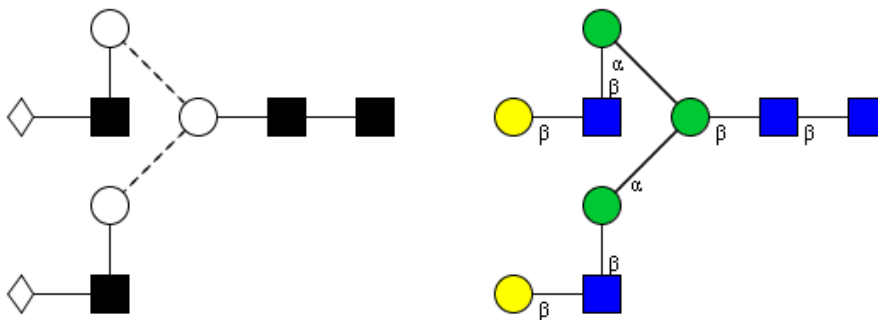
NA2 Glycan (A2G2)

Cat. # : CN-NA2-10U

Lot # : A9CE-02

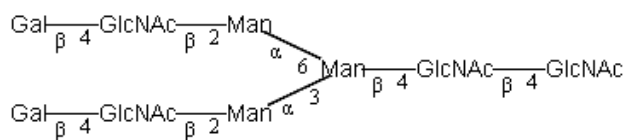
Size : 10 µg

Structure



Oxford Notation

CFG Notation



Text Notation

Purity: > 90% pure as assessed by a combination of HPAE-PAD (see Fig 2) and NMR (see Fig 1).

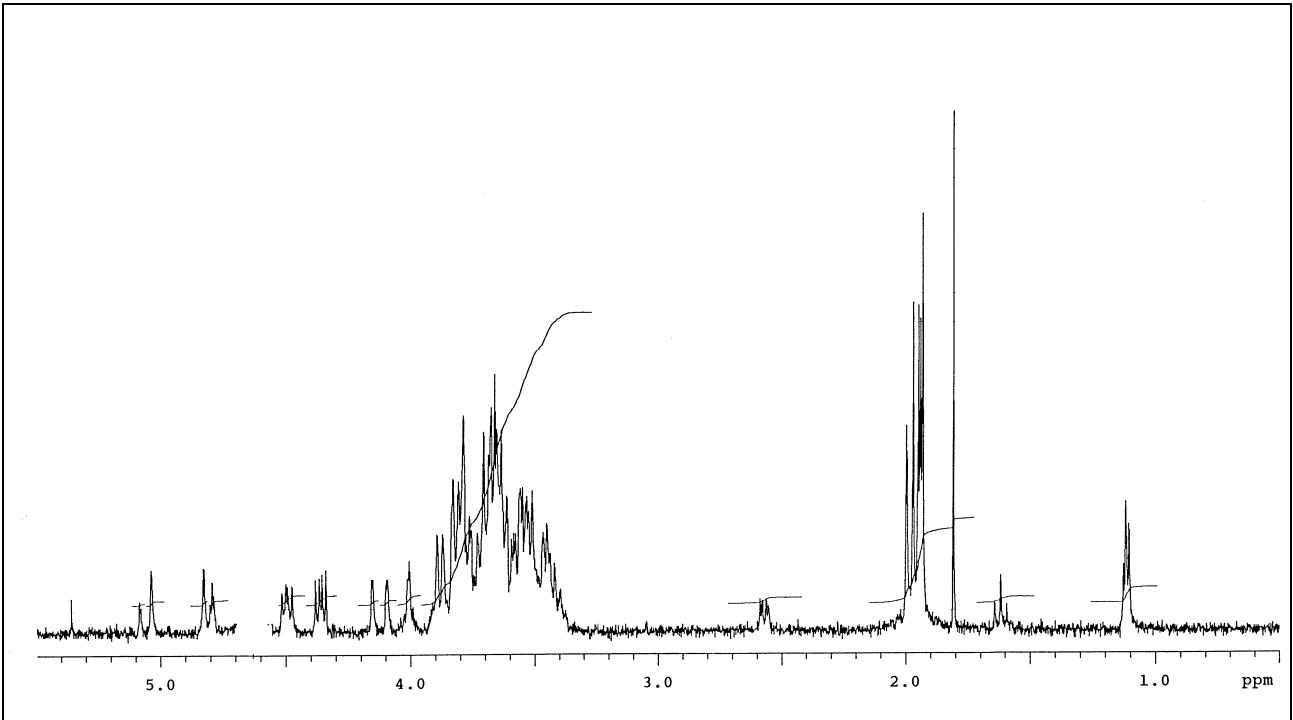


Figure 1: 500MHz ¹H-NMR of NA2 glycan BULK (CN-NA2-BULK, Lot # A35J-02).

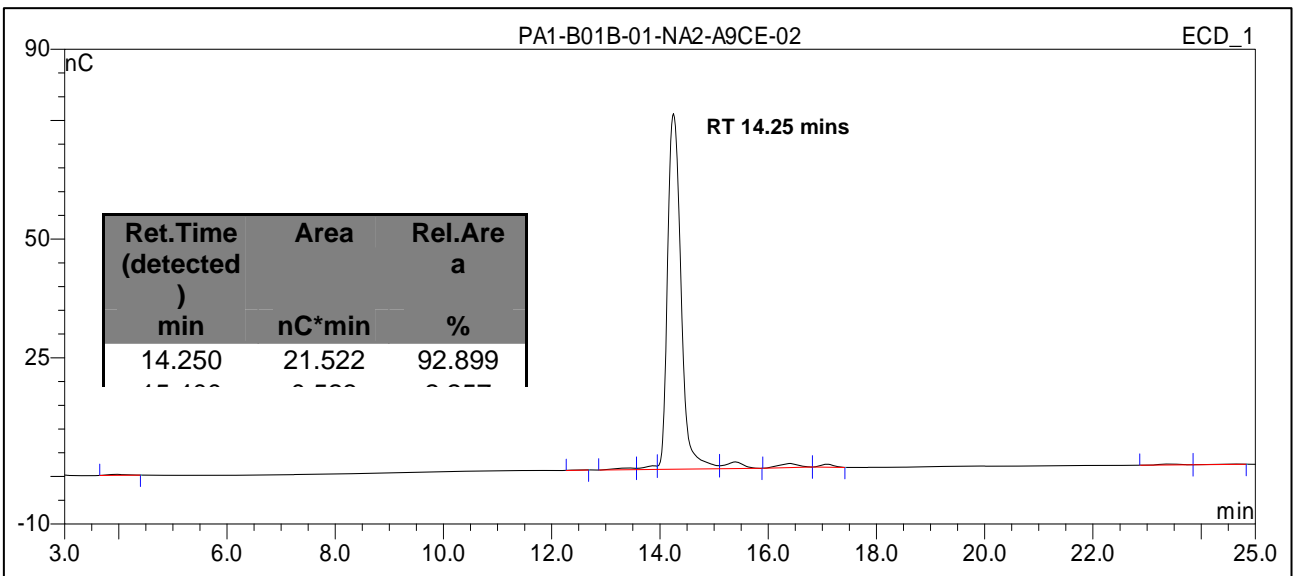


Figure 2 : HPAE-PAD HPLC Profile of NA2 glycan (CN-NA2-10U, Lot # A9CE-02).

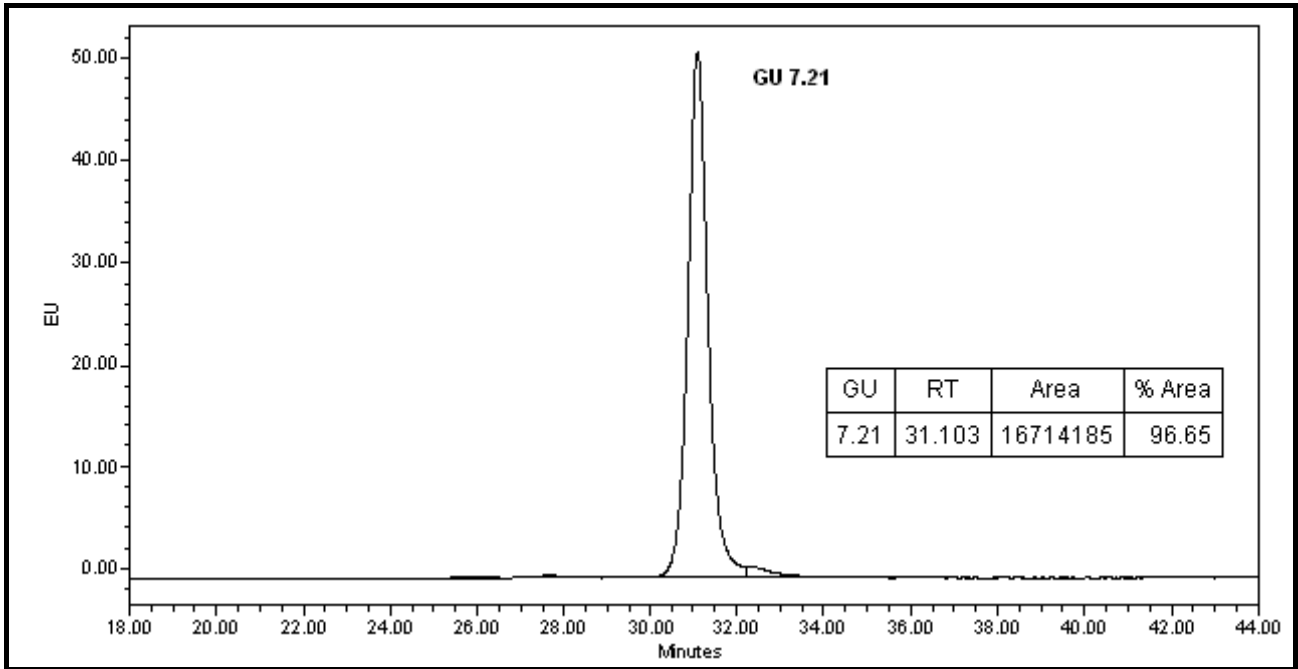


Figure 3: LudgerSepN2 chromatogram of NA2 glycan (CN-NA2-10U, Lot # A9CE-02).

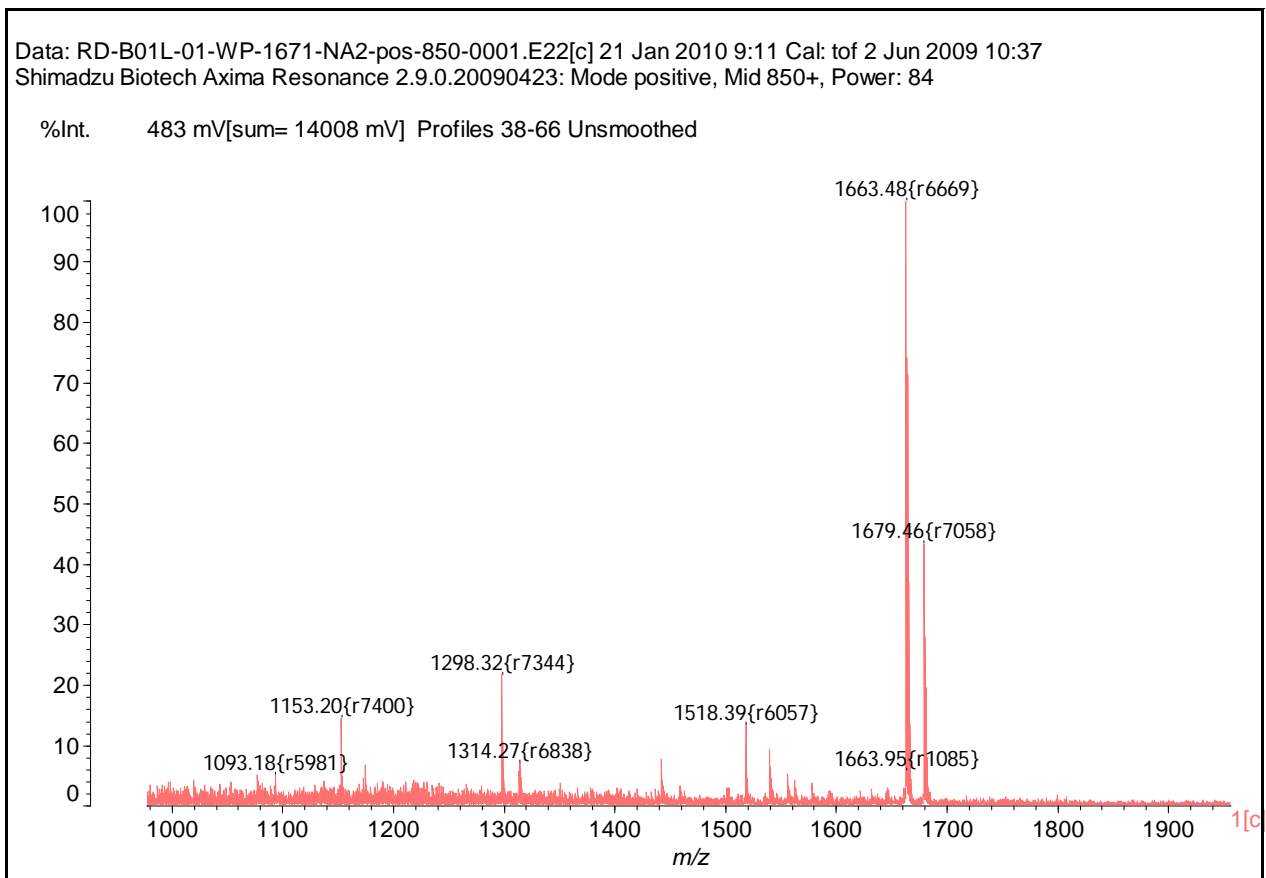


Figure 4 : Positive ion mass spectrum of NA2 glycan (CN-NA2-10U, Lot # A9CE-02). Theoretical mass 1663.6 Da $[M-Na^+]$ and 1679.6 $[M-K^+]$.