

Ludger

Certificate of Analysis

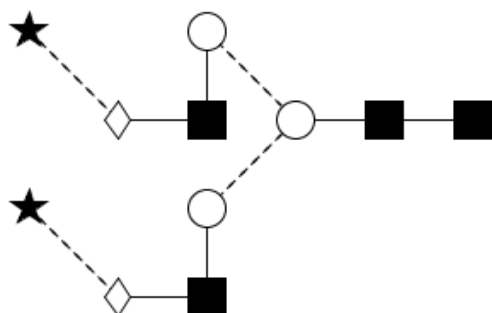
A2 Glycan (A2G2S2)

Cat. #: CN-A2-10U

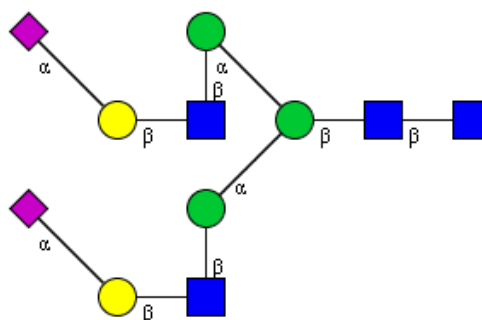
Lot #: A98K-02

Size : 10 µg

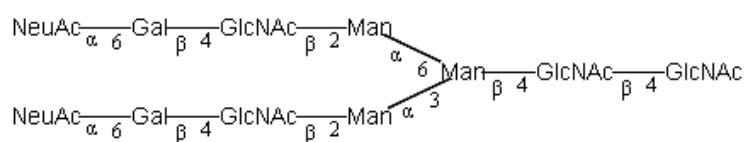
Structure



Oxford Notation



CFG Notation



Text Notation

Purity: > 90% pure as assessed by a combination of NMR (see Fig 1) andHPAE-PAD (see Fig 2).

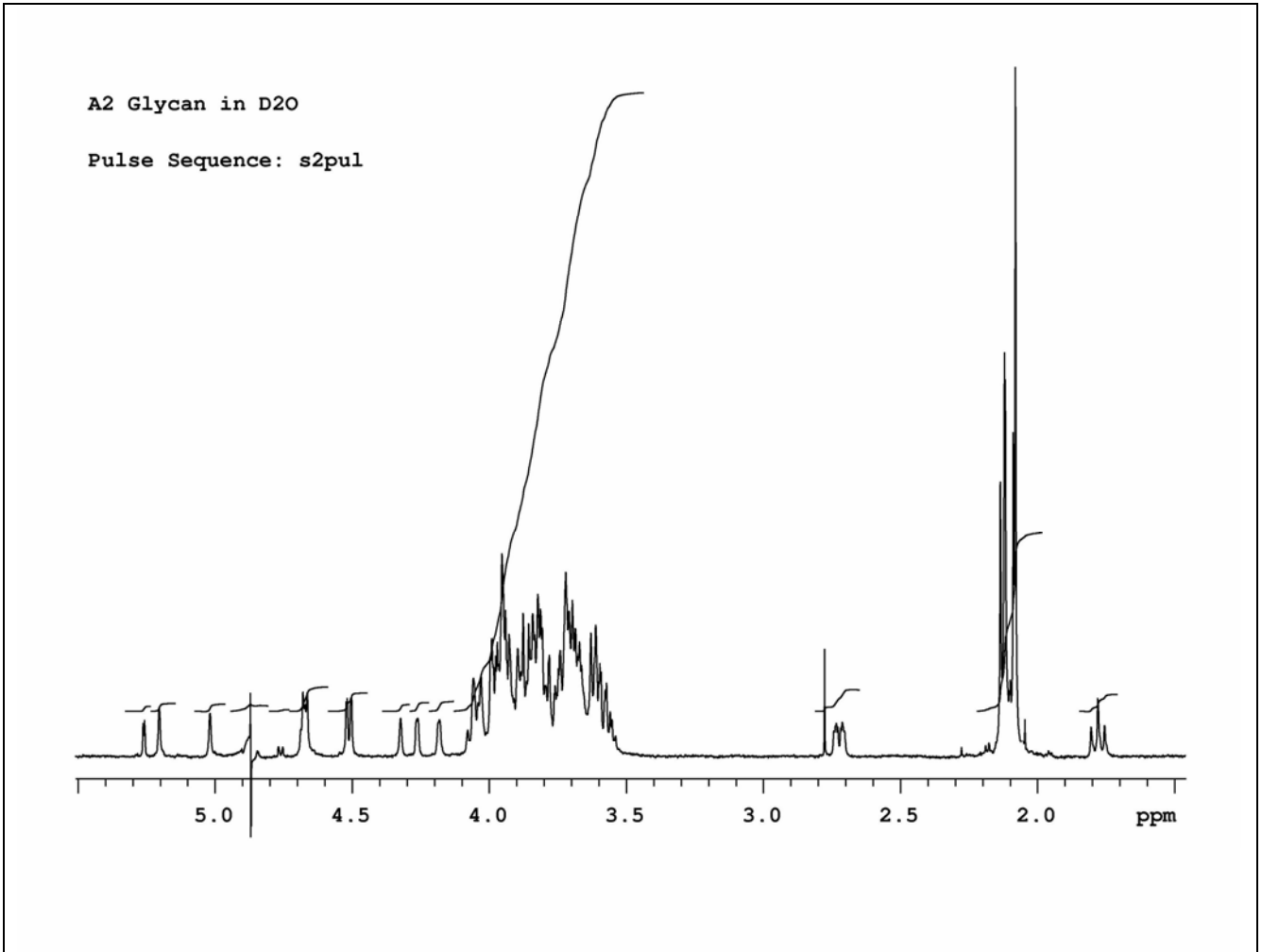


Figure 1: 500MHz ¹H-NMR of A2 glycan BULK (CN-A2-BULK, Lot # A77O-07).

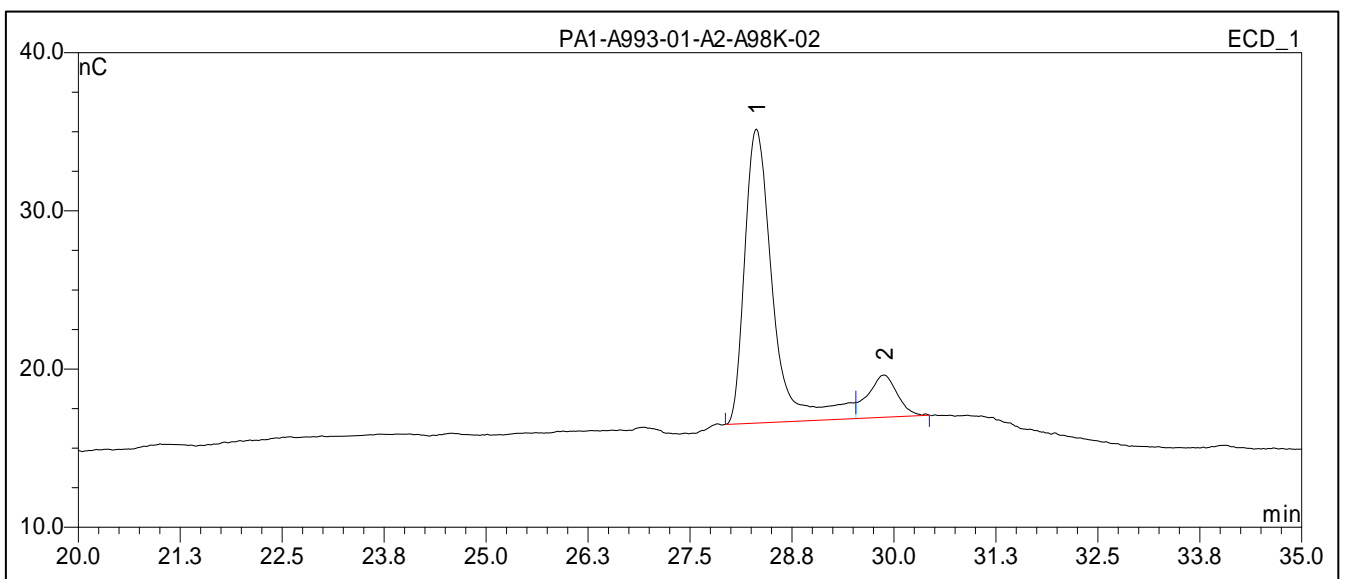


Figure 2 : HPAE-PAD HPLC Profile of A2 glycan (CN-A2-10U, Lot # A98K-02).

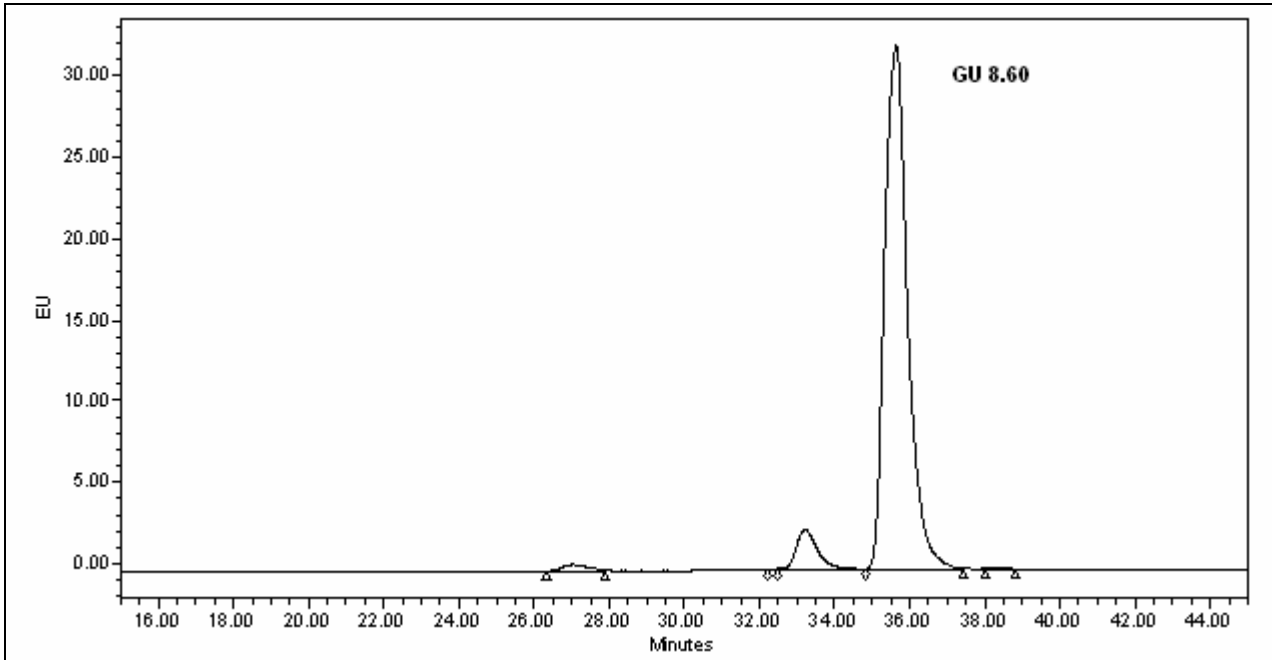


Figure 3: LudgerSepN2 chromatogram of A2 glycan (CN-A2-10U, Lot # A98K-02).

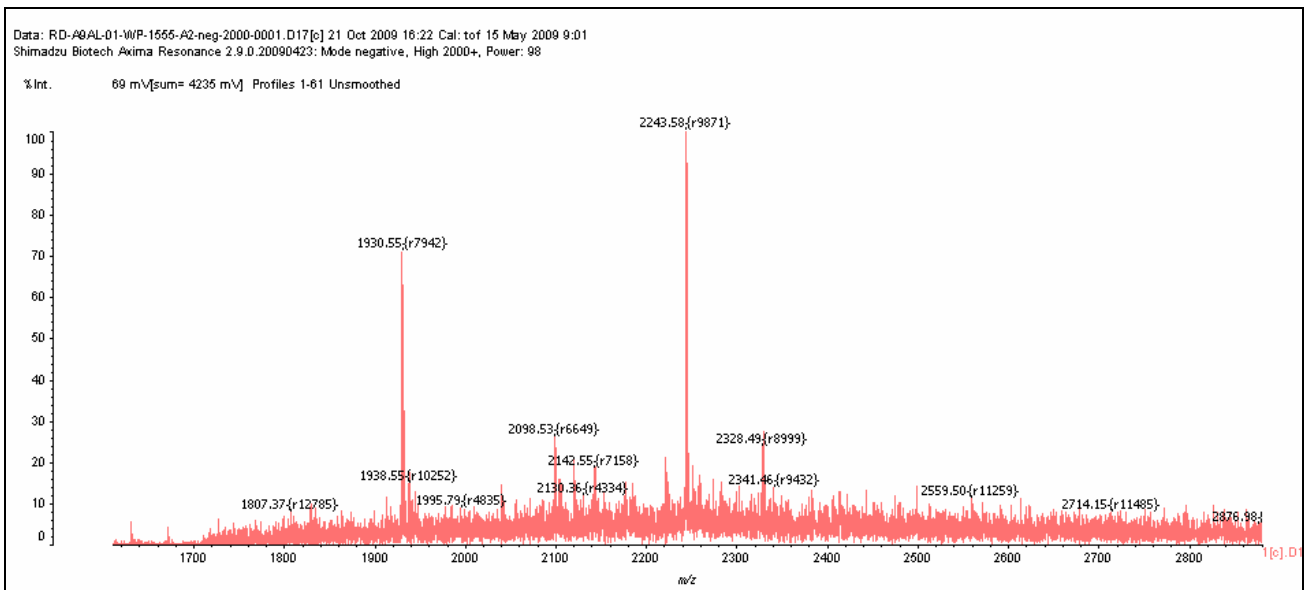


Figure 4 : Negative ion mass spectrum of A2 glycan (CN-A2-10U, Lot # A98K-02). Theoretical mass 2221.78 Da $[M-H]^-$, Na ion adduct seen at 2243.58 Da $[M-H]^-$.