

Certificate of Analysis

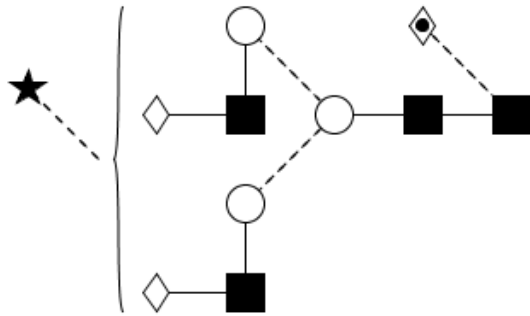
A1F Glycan (FA2G2S1)

Cat. # : CN-A1F-10U

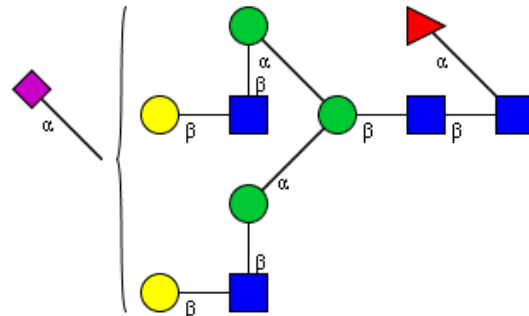
Lot # : A97U-01

Size : 10 µg

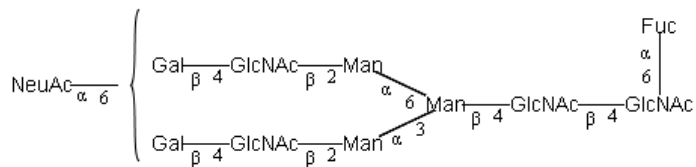
Structure



Oxford Notation



CFG Notation



Text Notation

Purity: > 85% pure as assessed by a combination of HPAE-PAD (see Fig 2) and NMR (see Fig 1).

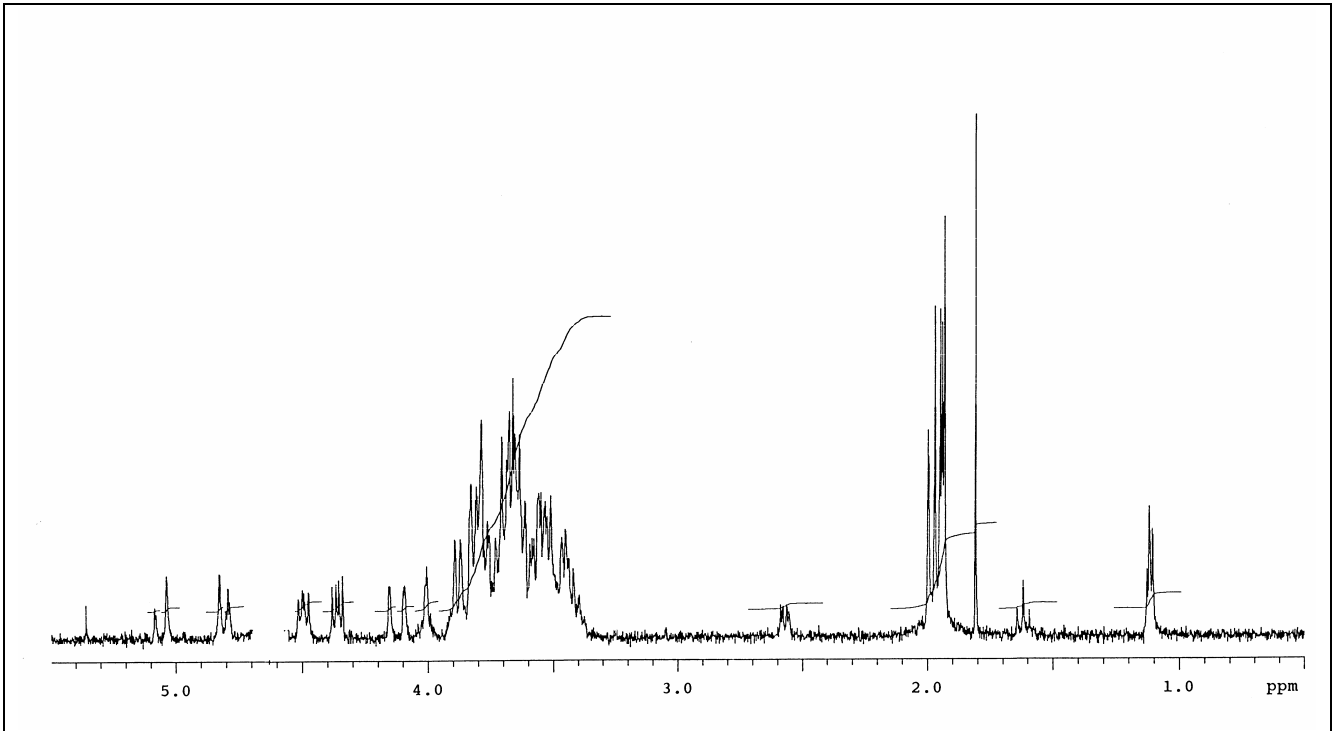


Figure 1: 500MHz ¹H-NMR of A1F glycan BULK (CN-A1F-BULK, Lot # A48J-04).

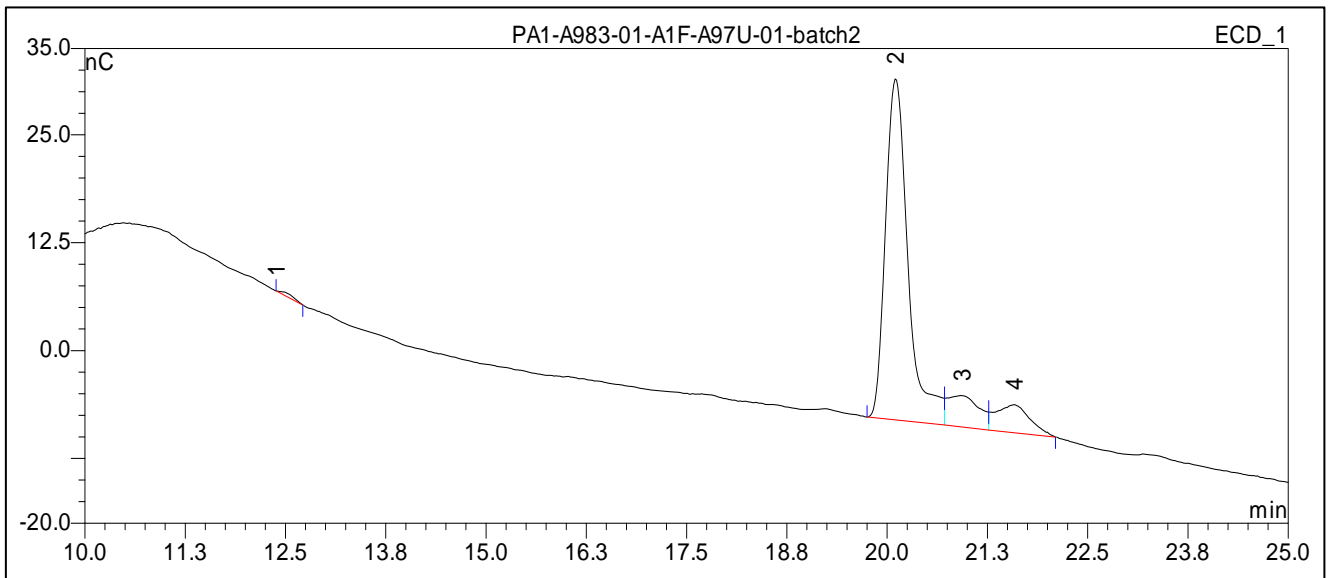


Figure 2 : HPAE-PAD HPLC Profile of A1F glycan (CN-A1F-10U, Lot # A97U-01).

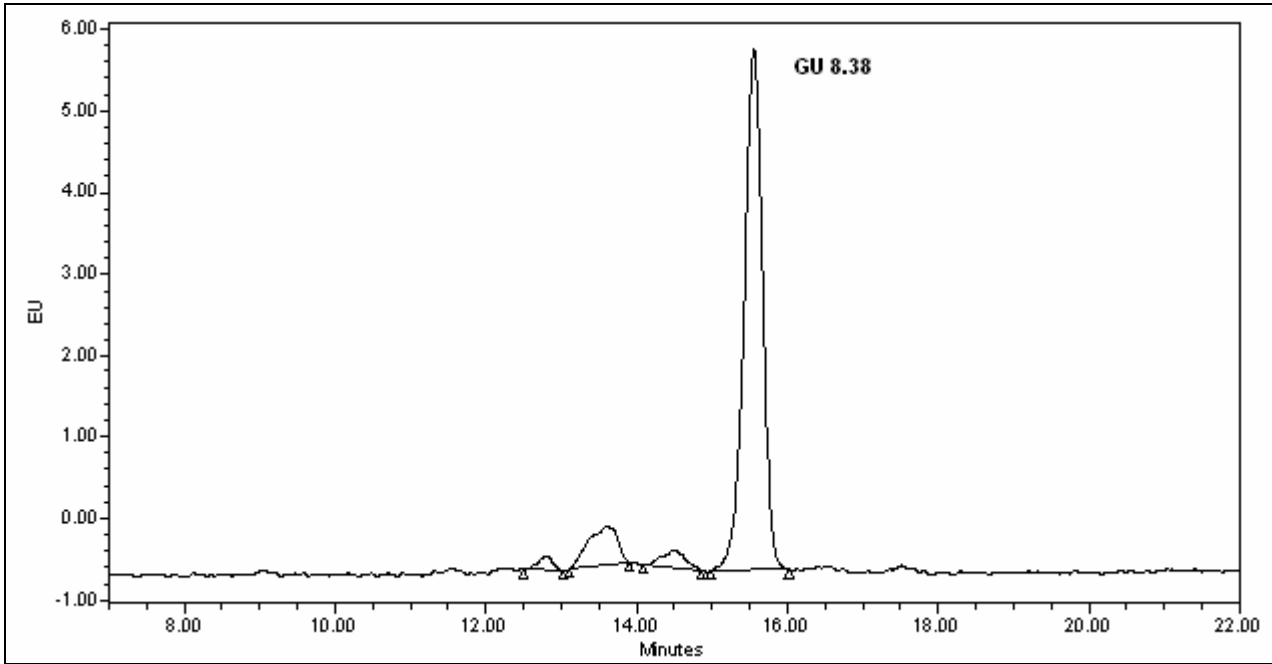


Figure 3: LudgerSepN2 chromatogram of A1F glycan (CN-A1F-10U, Lot # A97U-01).

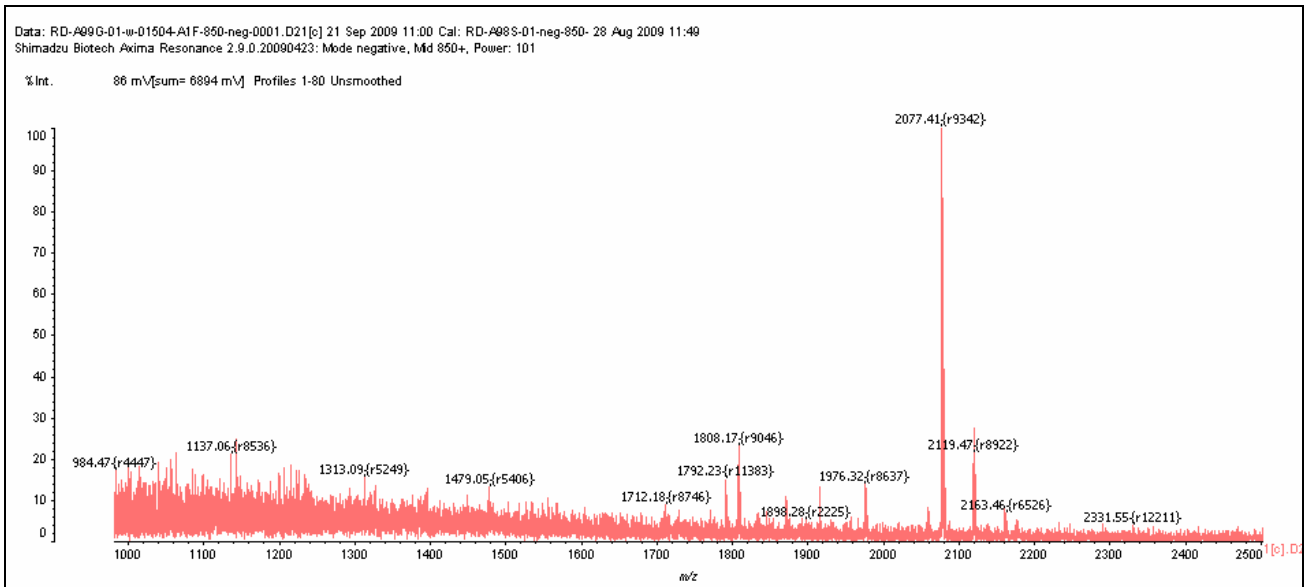


Figure 4 : Negative ion mass spectrum of A2 glycan (CN-A1F-10U, Lot # A97U-01). Theoretical mass 2076.74 Da [M-H]⁻.